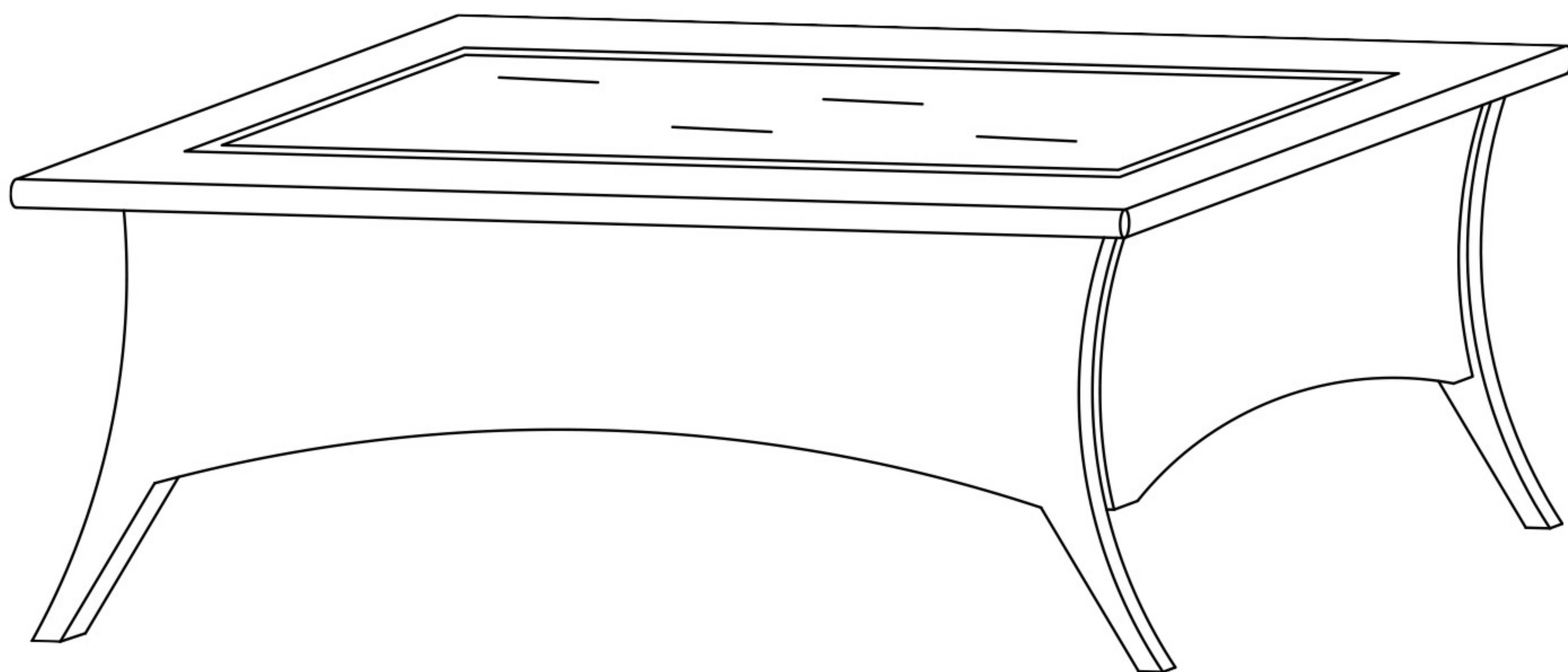


INSTRUCTION MANUAL

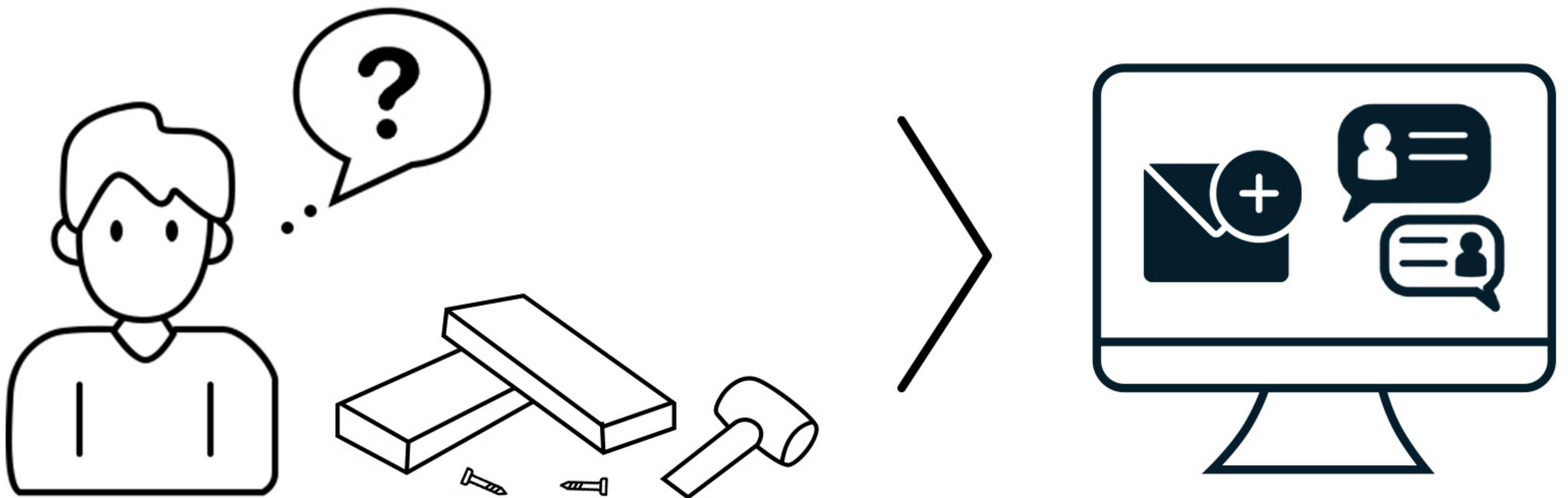


Rectangular Coffee Table

OWCS-004

An artist of outdoor living.

We promote the idea of turning any outdoor area into a relaxing space with outdoor furniture.




Questions? Comments?

Reach out to us for expert support!

 service@sundaleoutdoor.com

 sundaleoutdoor.com

 (626) 899-5788

 2080 S Cucamonga Ave,
Ontario, CA 91761

Follow sundaleoutdoor on



MAINTENANCE AND CARE

Follow the instructions for the product's materials to ensure it stays in the best condition as long as possible. The information below is a general guideline. Don't hesitate to get in touch with us to learn more.

- Only rinse it thoroughly with clean water to wash away dirt and grime. Do not use abrasive cleaners on your furniture as they can erode the surface and leave scratches.
- For stubborn grime and stains, use a soft sponge and mild soapy water. Then dry it with a cloth or paper towel.
- We recommend the use of furniture covers to protect the product when not in use.
- Check the stability of the screws, nuts, and nut caps before each use. Then, tighten them up after one to two months' use whenever required.
- Avoid improper use, and be careful not to scratch or damage the surface with sharp objects.
- When you move your furniture, lift it rather than pulling or pushing it to avoid damaging the floor and legs.
- In order to prolong the life and beauty of your product, we recommend storing it in a dry and protected area during the off-season periods.

WARRANTY

Thank you for purchasing our outdoor furniture, We are pleased to offer a one year warranty on the quality of the product. This warranty covers any manufacturing defects or malfunctions that may occur within the first year of ownership.

LIMITED WARRANTY

The warranty does not cover commercial use, damages resulting from misuse, negligence, accidents, normal wear and tear, unauthorized repairs or modifications, improper assembly, or failure to adhere to the care and maintenance guidelines provided.

CERTIFICATION

1.SGS



2.OEKA-TEX



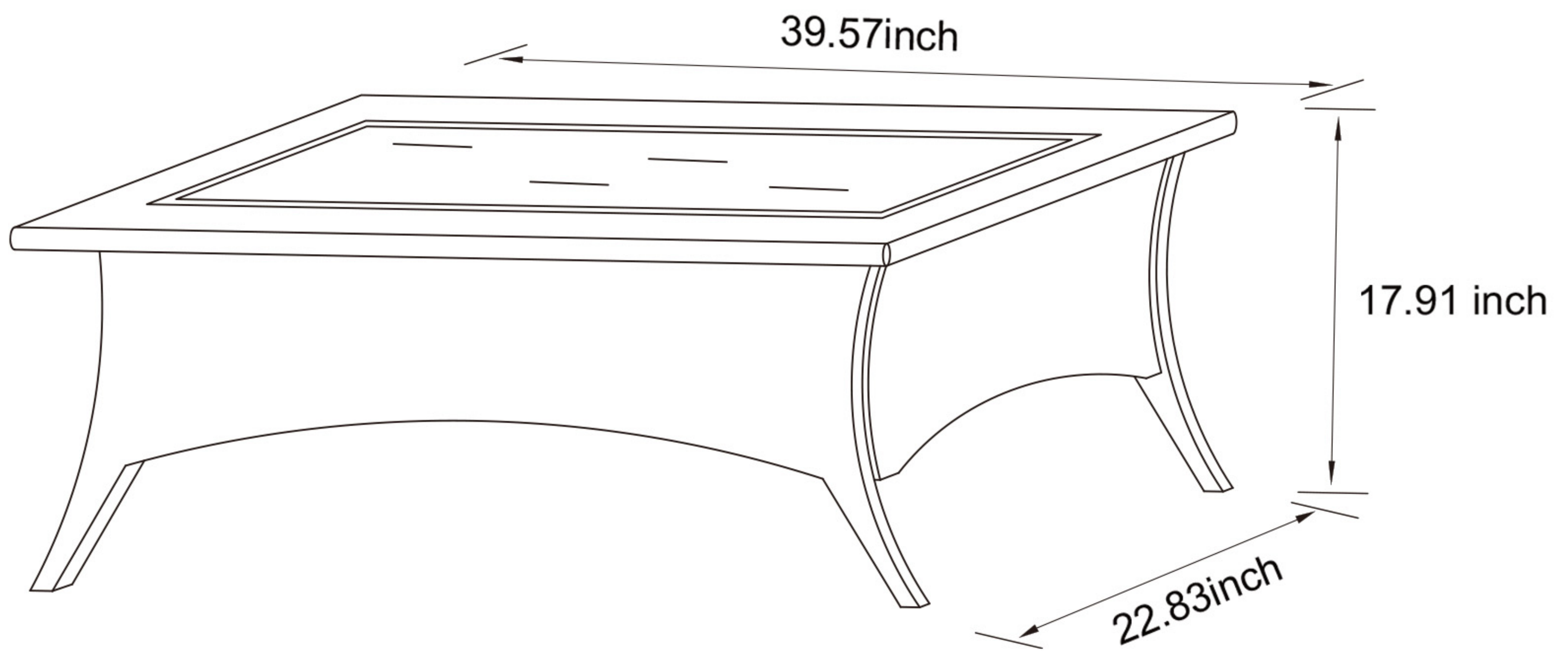
3.BUREAU VERITAS



CALIFORNIA PROPOSITION 65

⚠ WARNING: This product can expose you to chemicals including lead, which is known to the State of California to cause cancer and birth defects or other reproductive harm. For more information, visit WWW.P65Warnings.ca.gov

SPECIFICATIONS



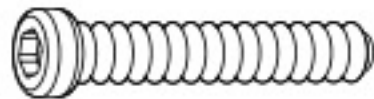

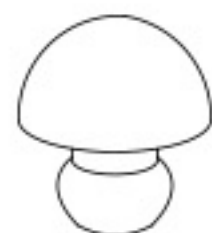
BEFORE ASSEMBLY

- Please separate and identify all parts, making sure that you have all of the parts listed.
- To avoid any scratch during assembly, please assemble on a soft mat or similar
- Please assemble step by step and follow the instructions.
- Washers must be used.
- Do not completely fasten each screw and nut until all the screws are properly fixed.


PARTS LIST

Part #	QTY	Description	Image
A	1	Coffee Table Frame	
B	1	Coffee Table Glass	
C	2	Long Side Slice	
D	2	Short Side Film	

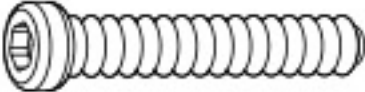

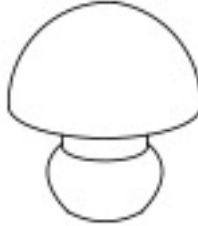
HARDWARE

Part #	QTY	Description	Image
Ⓐ	12	M6*35MM	
Ⓑ	12	M6	
Ⓒ	4	Glass Pad	

TOOL

Part #	QTY	Description	Image
Ⓓ	1	M6	

EXTRA

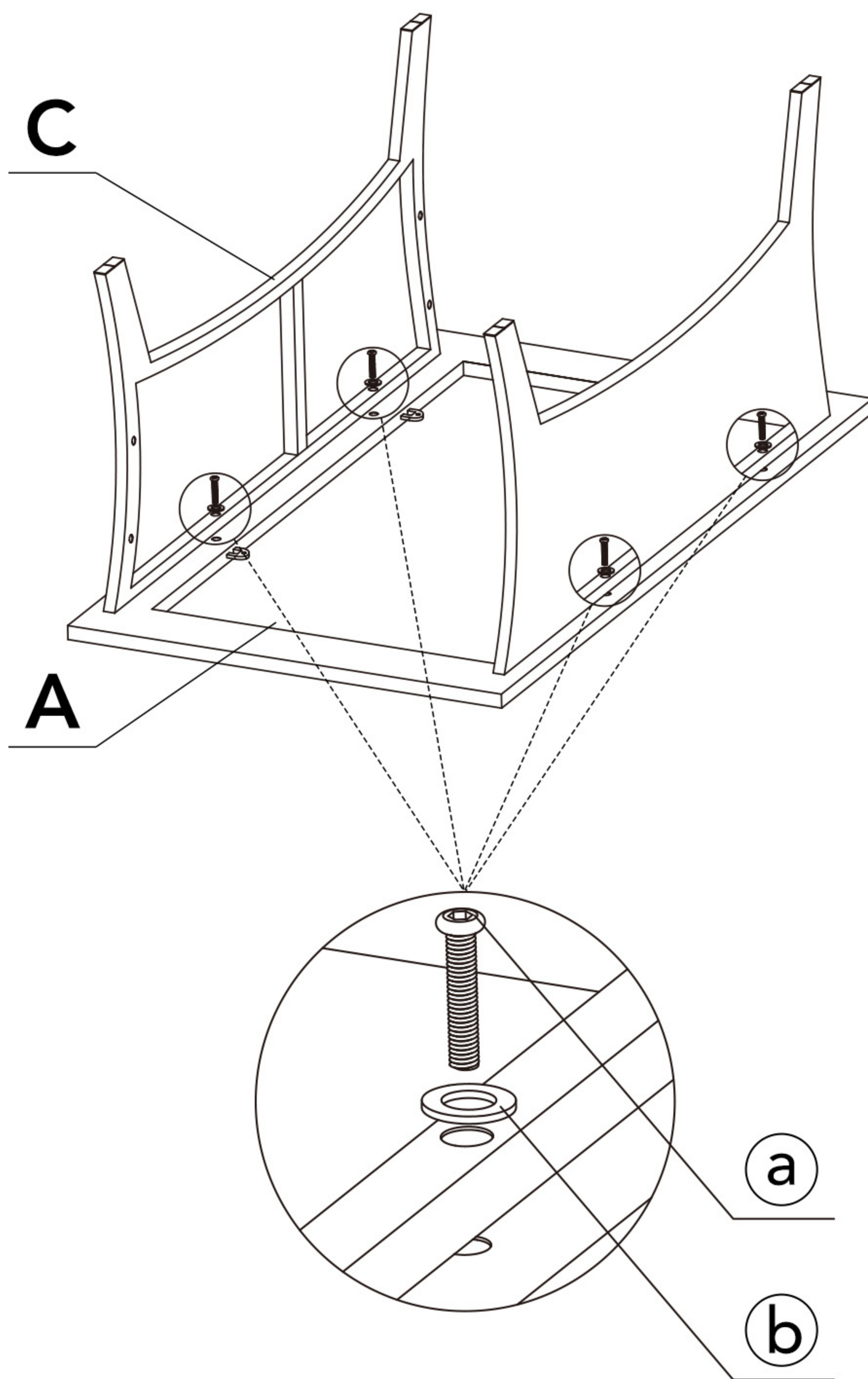
Part #	QTY	Description	Image
Ⓐ	2	M6*35MM	
Ⓑ	2	M6	
Ⓒ	1	Glass Pad	

⚠ **WARNING:** Failure to locate parts in accordance with these diagrams, or failure to use special parts provided with this equipment, may result in property damage or personal injury.

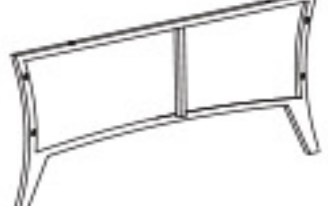
ASSEMBLY

STEP 1

Connect the long side slice(C) to the coffee table frame(A) with screws.
NOTE: Do not tighten all screws now.



A  x1

C  x2

(a)  M6x35mm x4

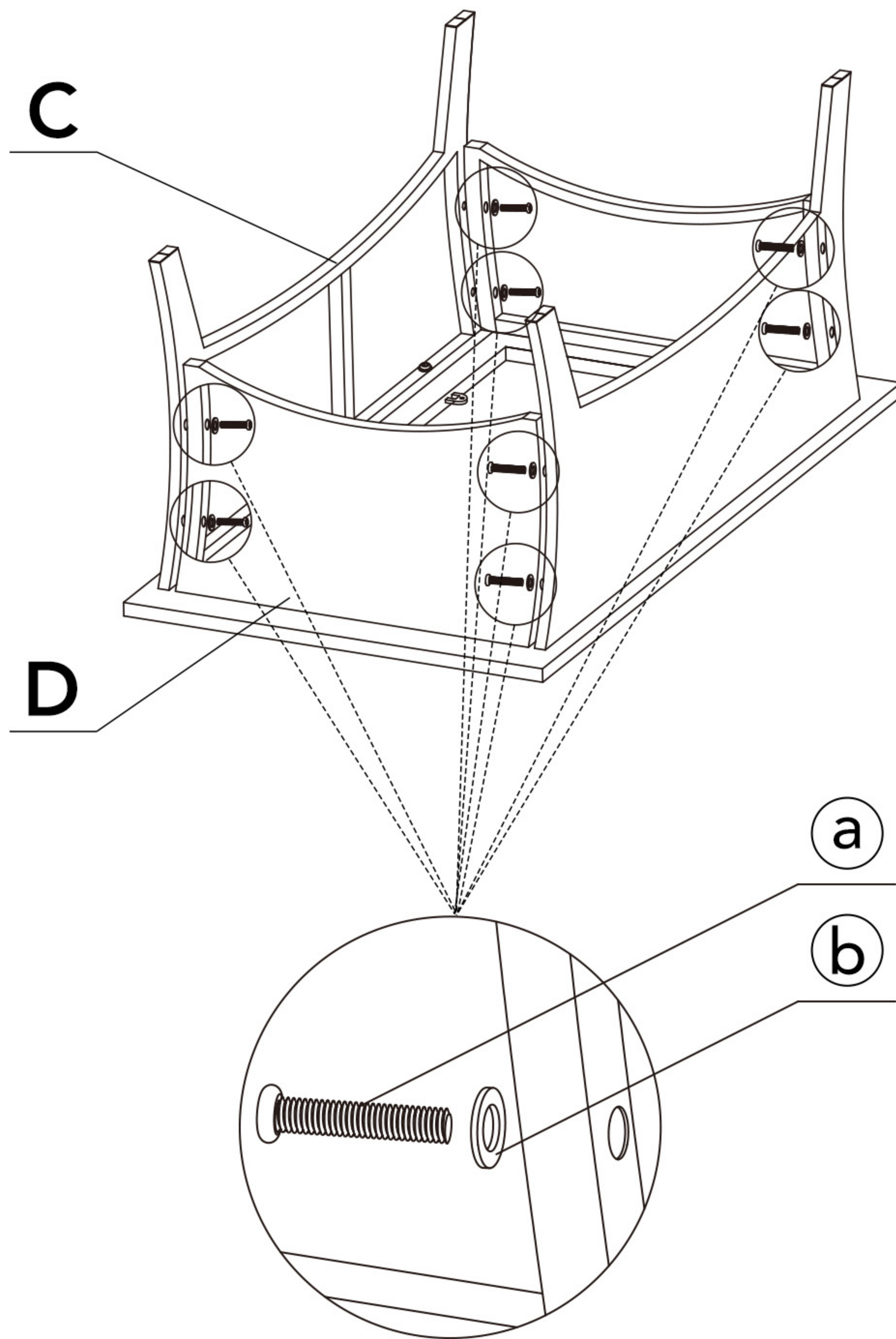
(b)  M6 x4

(d)  x1

ASSEMBLY

STEP 2

Connect the short side film(D) to the long side slice(C) with screws.
NOTE: Please fully tighten all bolts at this time.

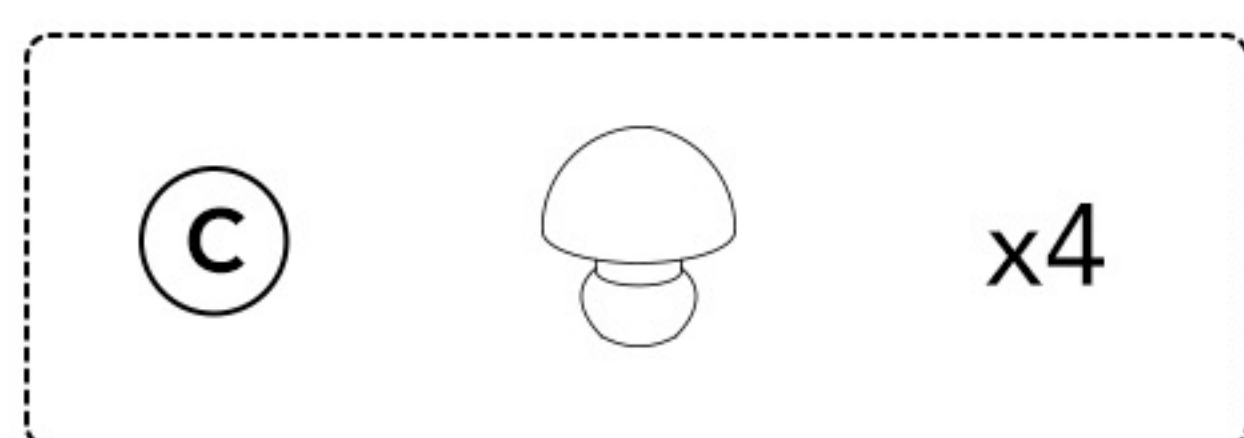
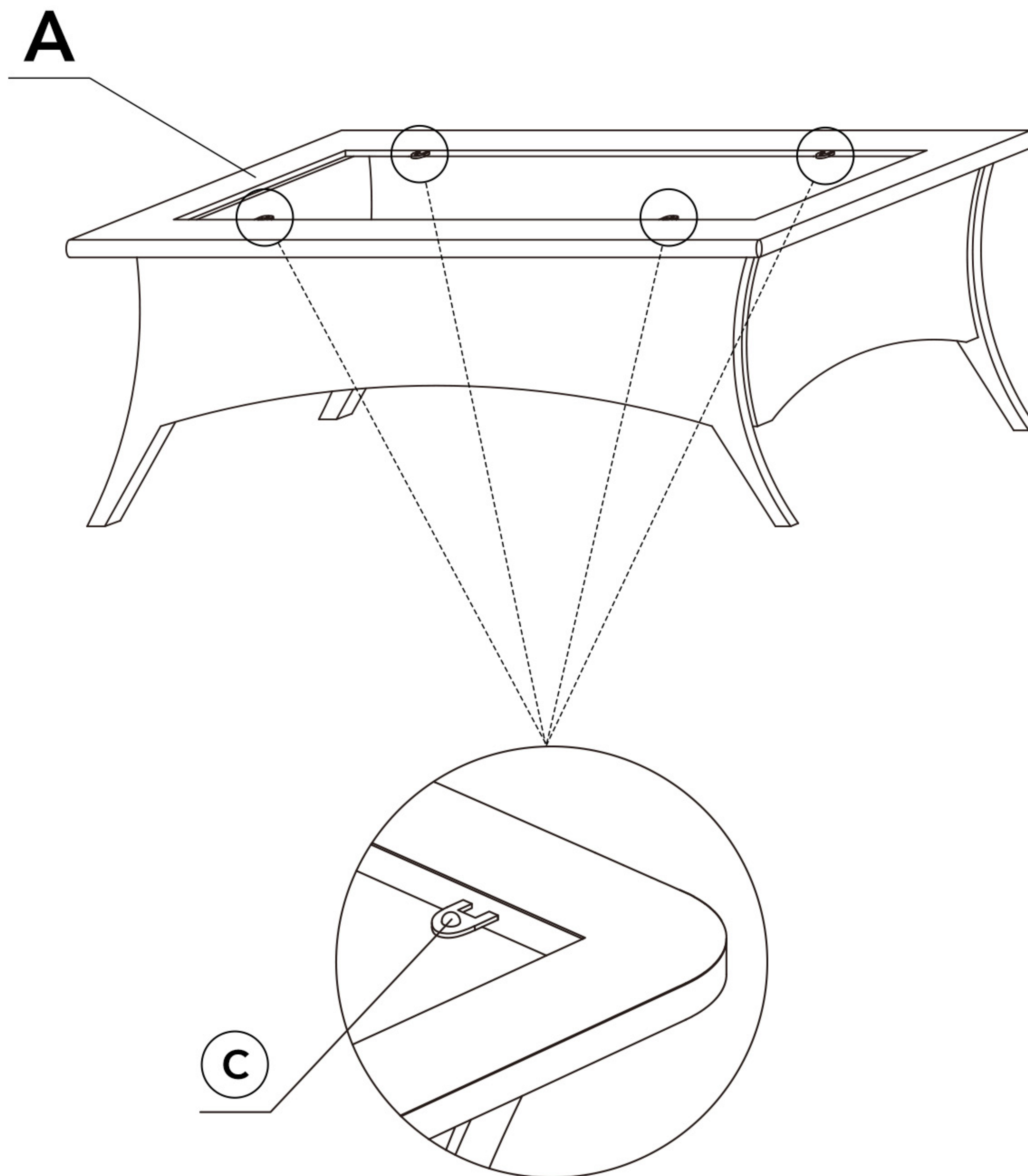


D		x2	d		x1
a		M6x35mm x8	b		M6 x8

ASSEMBLY

STEP 3

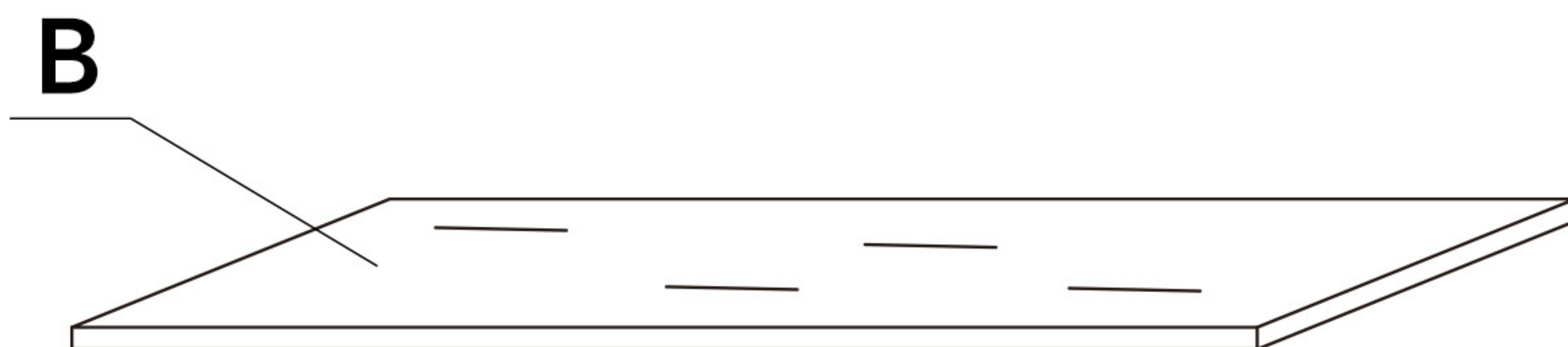
Place the glass pad(c) on the metal piece of the coffee table top(A).



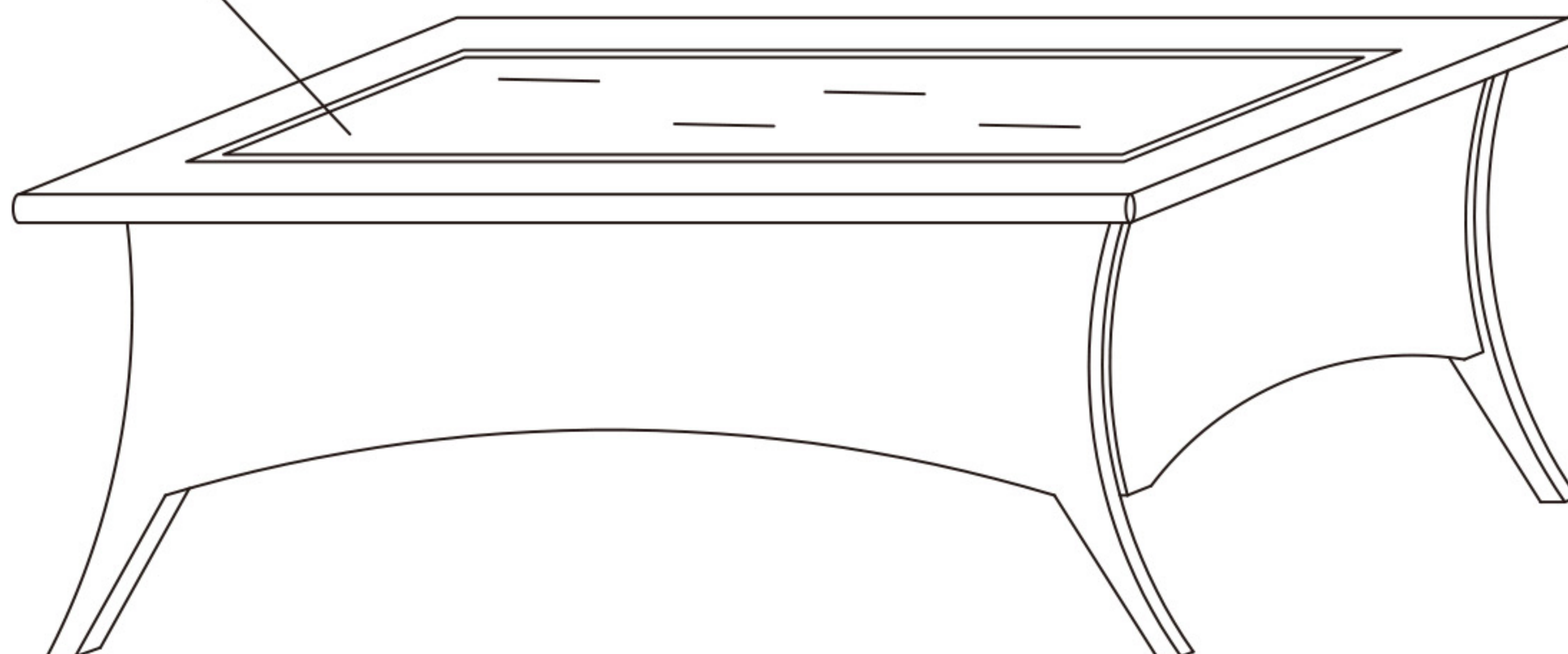
ASSEMBLY

STEP 4

Place the coffee table glass(B) on the surface of the coffee table.



Tempered Glass



B  x1

QUESTION ABOUT YOUR PRODUCT? WE'RE HERE TO HELP.

————— contact us at: service@sundaleoutdoor.com —————