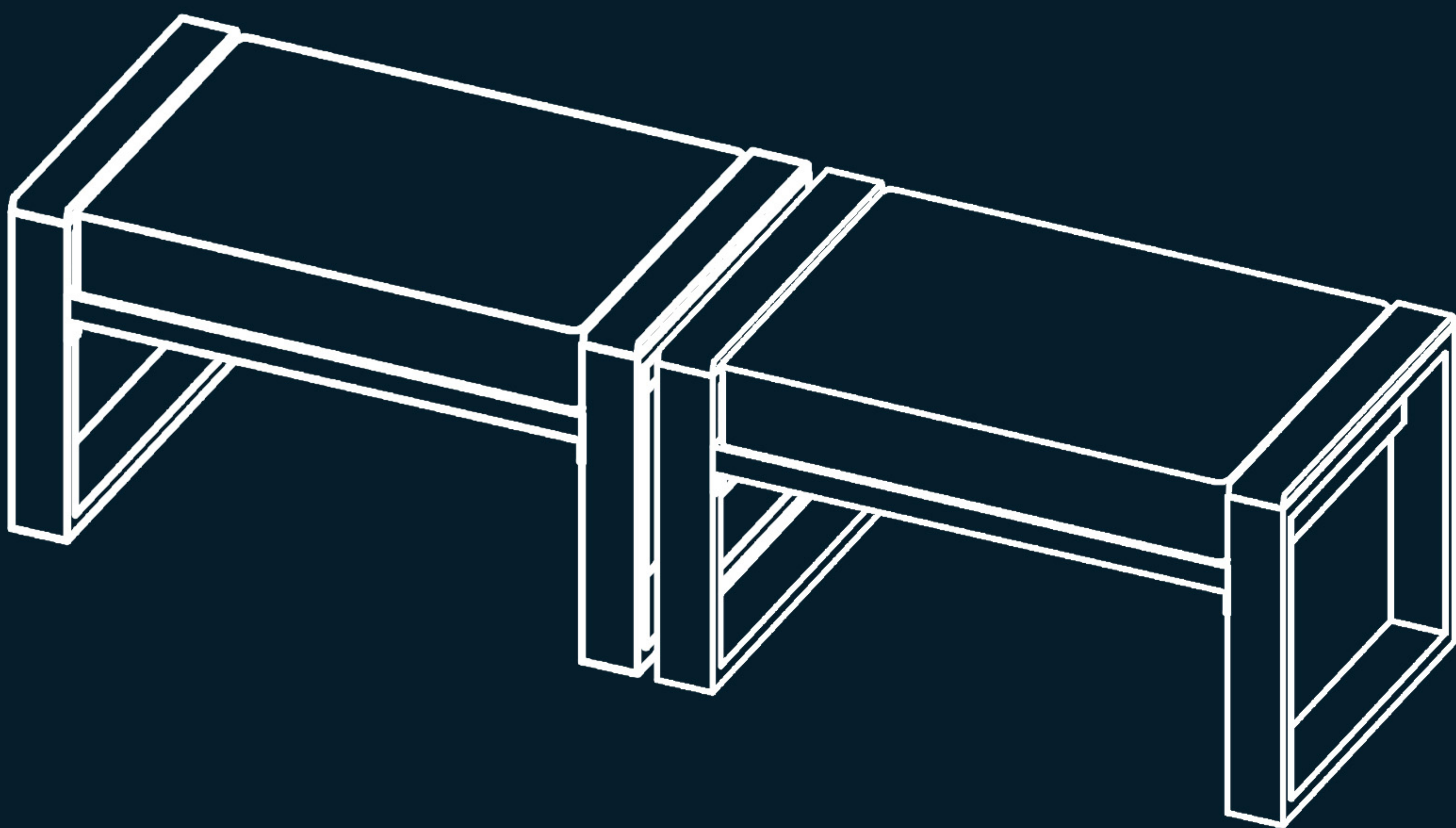
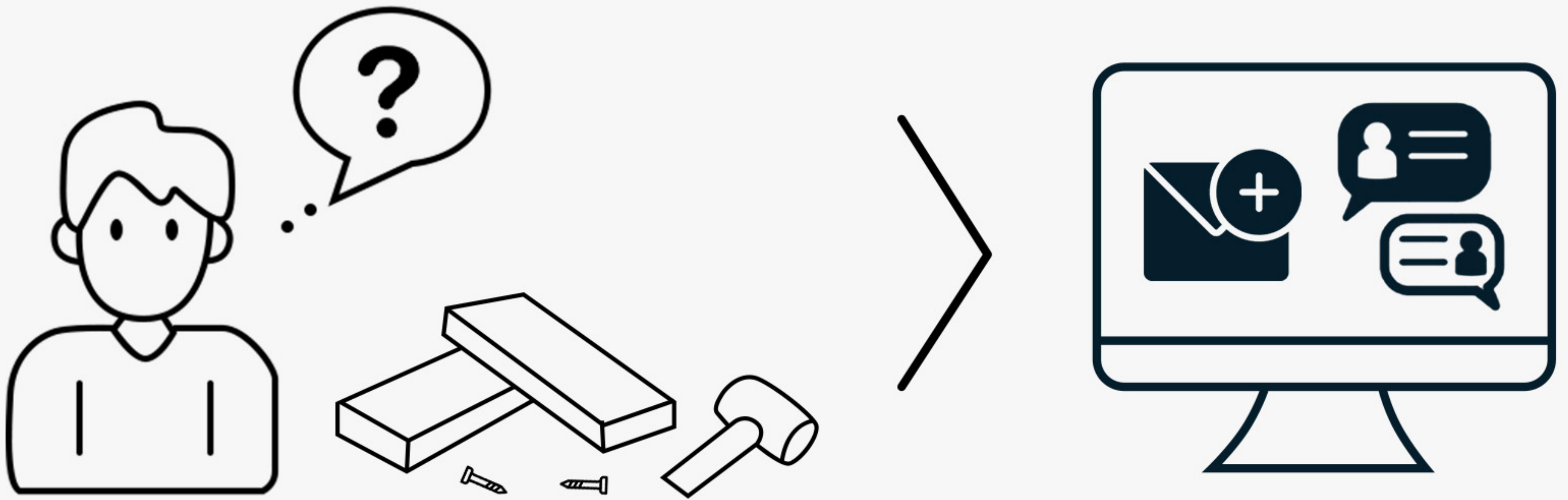


INSTRUCTION MANUAL



Ottoman


OACS-005-GY/ OACS-005-NY




**Questions? Comments?
Reach out to us for expert support!**

 service@sundaleoutdoor.com

 sundaleoutdoor.com

 (626) 899-5788

 2080 S Cucamonga Ave,
Ontario, CA 91761

Follow sundaleoutdoor on





READ & SAVE BELOW INSTRUCTIONS BEFORE ASSEMBLY

- Please separate and identify all parts, making sure that you have all of the parts listed.
- To avoid any scratch during assembly, please assemble on a soft mat or similar.
- Please assemble step by step and follow the instructions.
- Washers must be used.
- Do not completely fasten each screw and nut until all the screws are properly fixed.

WARRANTY

- Thank you for purchasing our outdoor furniture, We are pleased to offer a one-year warranty on the quality of the product. This warranty covers any manufacturing defects or malfunctions that may occur within the first year of ownership.
- Exclusions: The warranty does not cover damages resulting from misuse , negligence, accidents, normal wear and tear, unauthorized repairs or modifications, improper assembly, or failure to adhere to the care and maintenance guidelines provided.

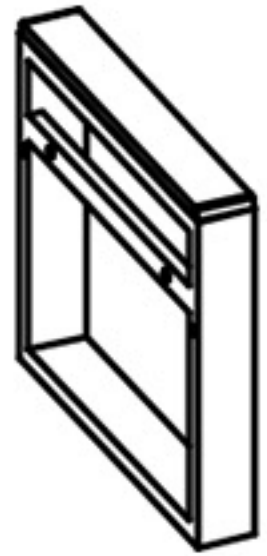
MAINTENANCE AND CARE

- Protect it from extreme weather by moving it to a covered area or using furniture covers.
- Avoid dragging heavy objects on the furniture to prevent damage.
- Regularly inspect for wear or damage and address any issues promptly.
- Check and tighten hardware connections periodically.
- Keep packaging until assembly is complete to avoid losing small parts.
- Use a damp cloth with warm soapy water or a suitable cleaning product to clean the furniture.
- Ensure proper drying after cleaning to prevent mold growth.

PARTS

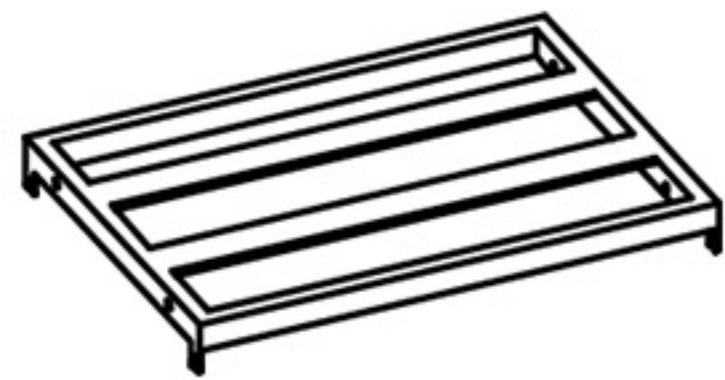
- Carefully unpack all components and verify that all necessary parts are included in the package before assembling. Assemble the furniture in the order specified to ensure proper alignment and installation.
- If any difficulty occurs during assembly, please contact our customer support.

PARTS



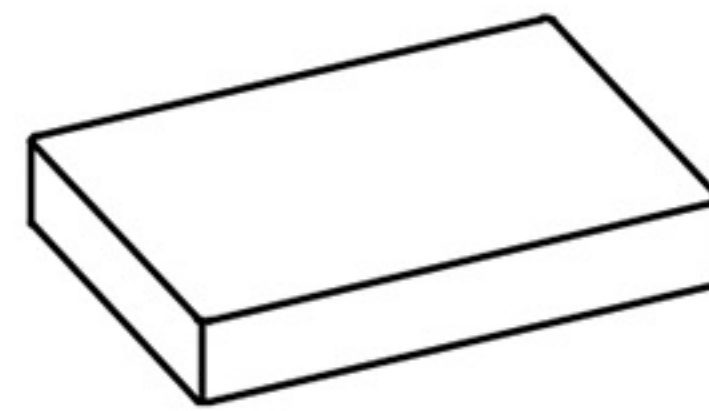
Leg

Lx4



Base

Mx2



Seat Cushion

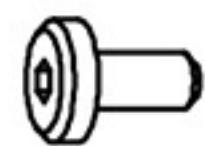
Nx2

HARDWARE



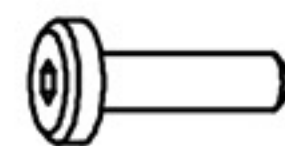
Height Adjustment
Screw

Qx8



Bolt M6*15MM

Rx8



Bolt M6*32MM

Sx8



Washer

Ux16



Cap

Vx16

TOOL



Allen Wrench



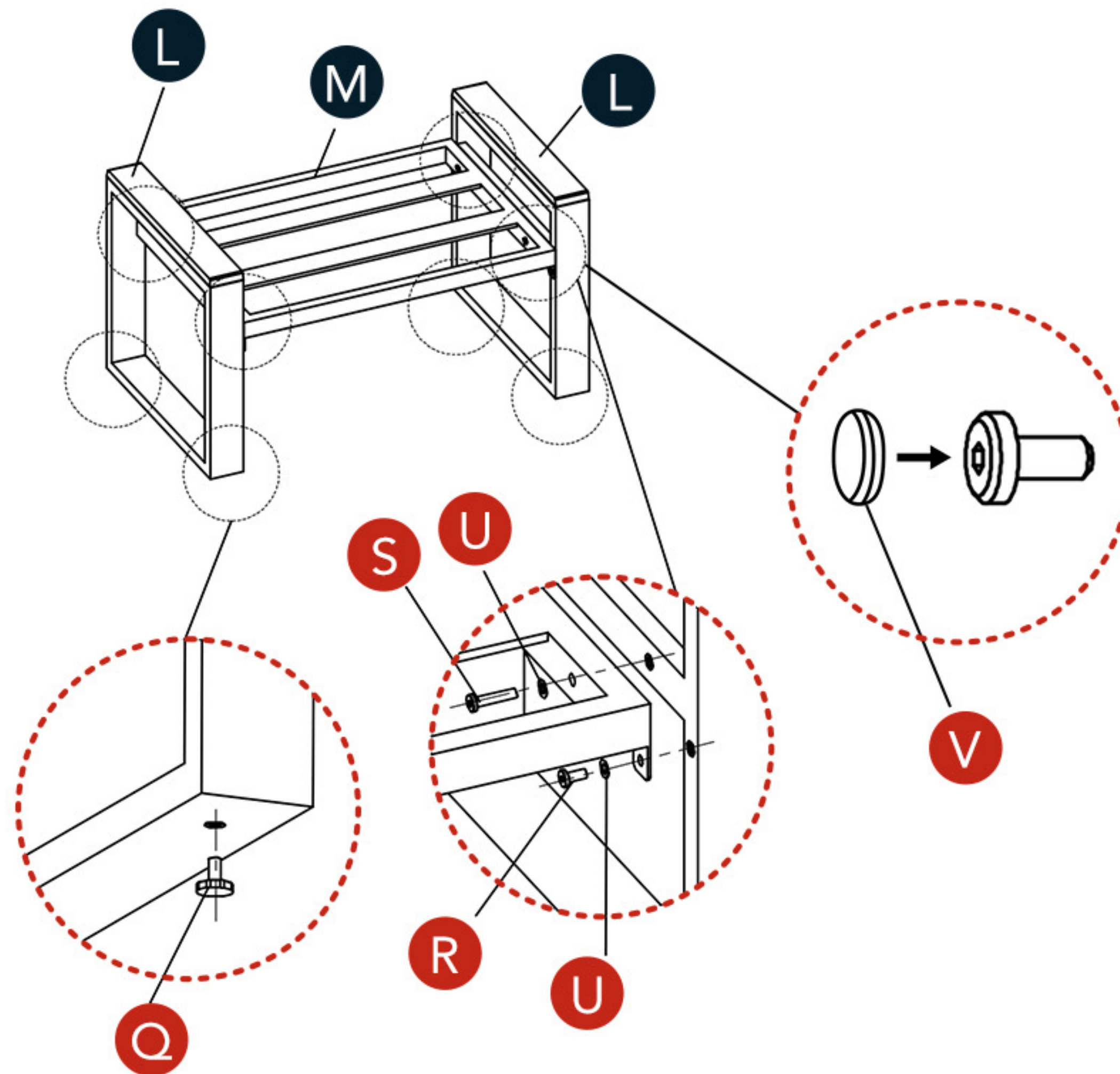
1 PERSON
ASSEMBLY



UP TO 15 MIN.
ASSEMBLY

ASSEMBLY

Note: Do not fully tighten screws, tighten the screws only after all components are installed.



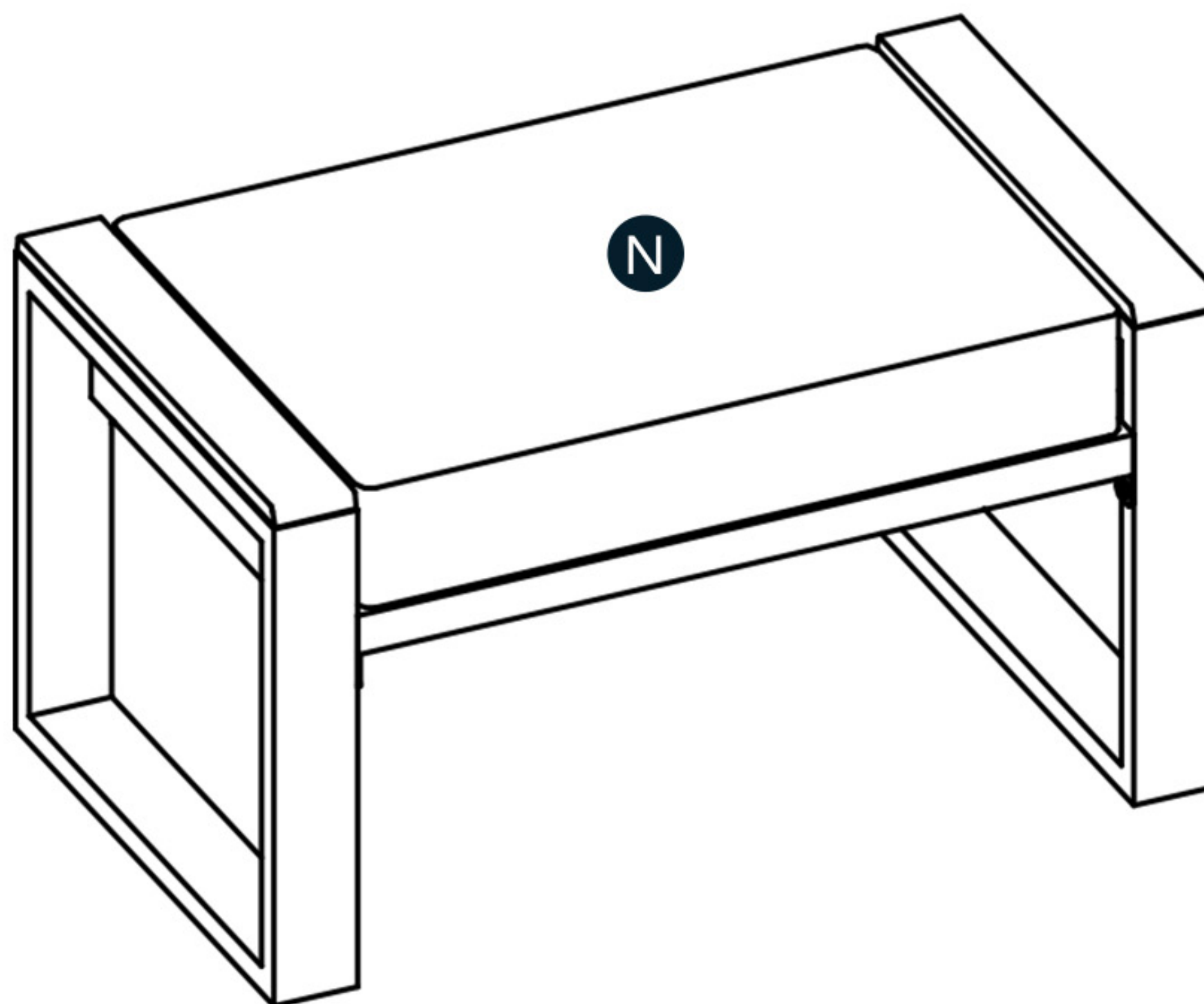
1

-Attach the Seat Plate to the Left/Right Seat Leg using Bolt M6*32MM[S] & Bolt M6*15MM[R] & Washer[U].

-Install the Height Adjustment Screw[Q].

-Attach the Cap[V].

U x8	V x8	Q x4	R x4
S x4	M x1	L x2	



2

Put the Seat Cushion[N]

N x1

QUESTION ABOUT OUR PRODUCT? WE'RE HERE TO HELP.

————— Contact us at: service@sundaleoutdoor.com —————