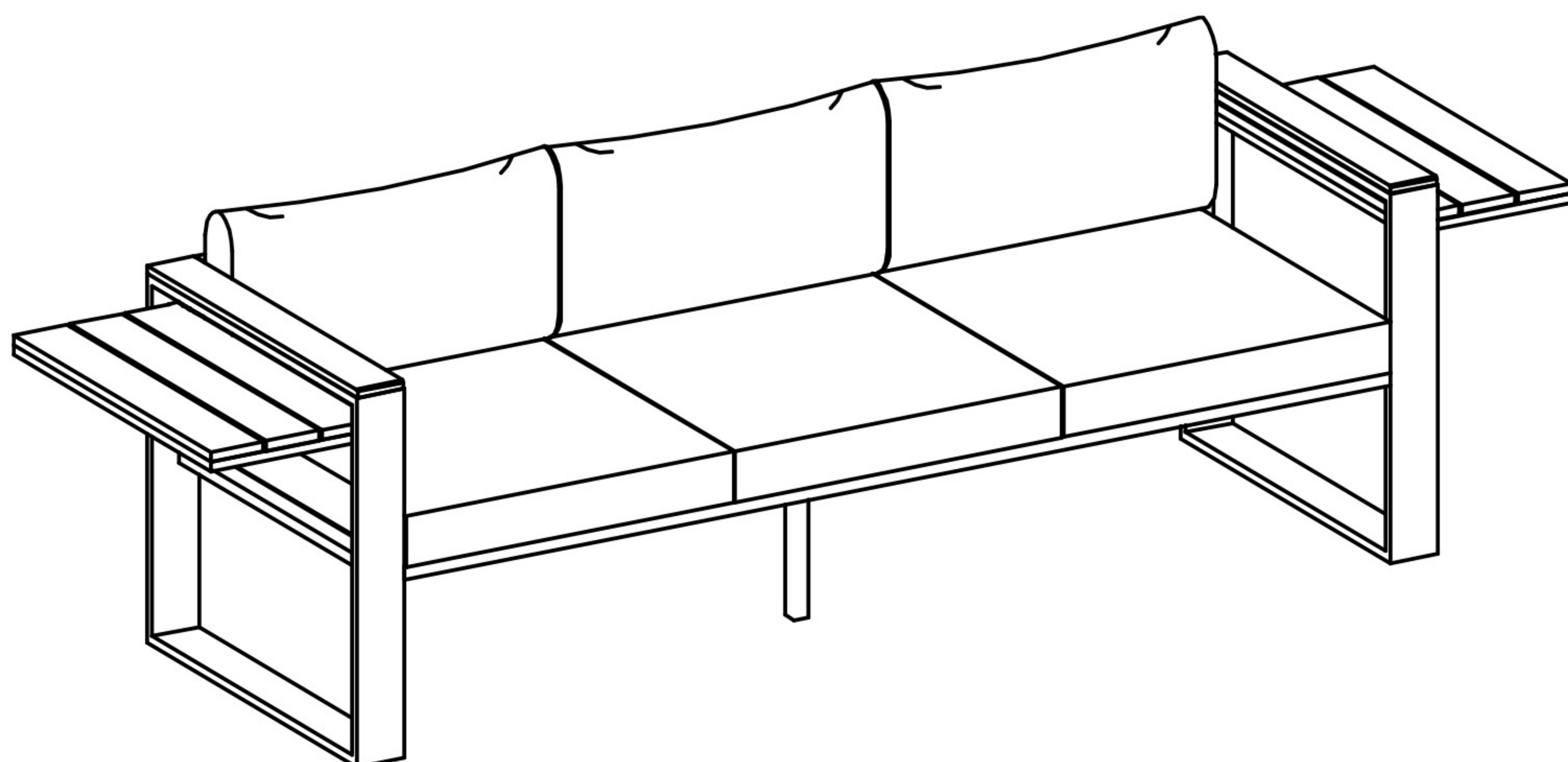
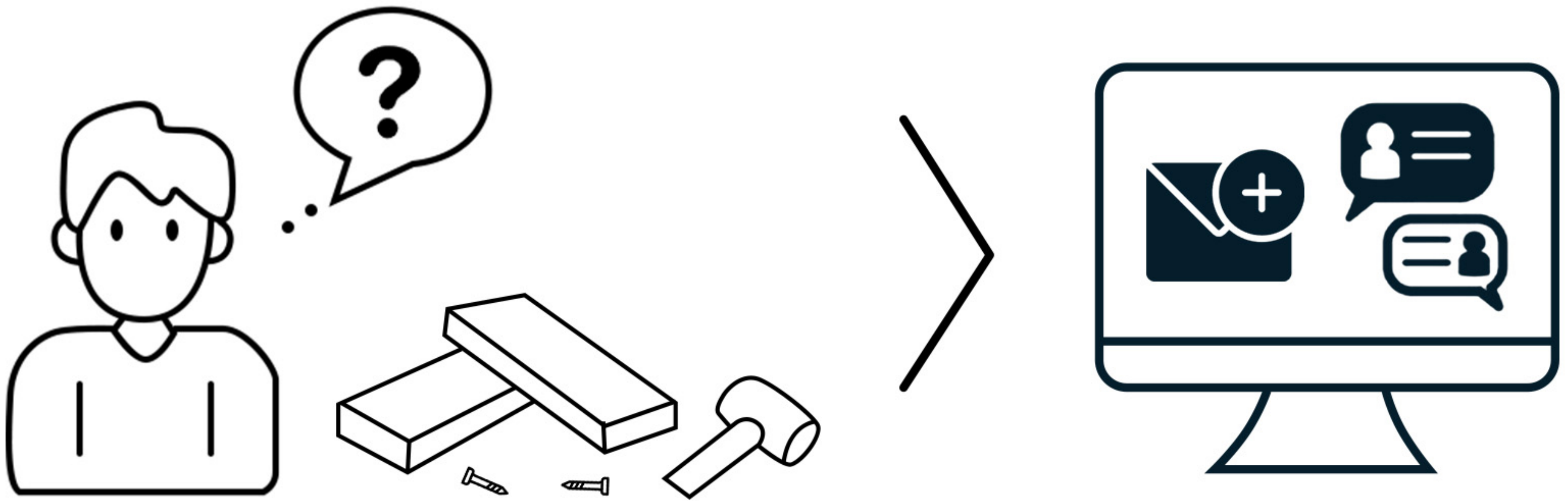


# INSTRUCTION MANUAL




Aluminum 3-Seat Armchair

0ACS-008-GY/BE




## Questions? Comments? Reach out to us for expert support!

 [service@sundaleoutdoor.com](mailto:service@sundaleoutdoor.com)

 +1 888-572-2312  
(Monday to Friday, EST 9:00 AM –  
12:00 PM, 1:00 PM – 6:00 PM)

 [sundaleoutdoor.com](http://sundaleoutdoor.com)

 2080 S Cucamonga Ave,  
Ontario, CA 91761

---

Follow sundaleoutdoor on



## MAINTENANCE AND CARE

Follow the instructions for the product's material to ensure it stays in the best situation as long as possible. The information below is a general guideline. Don't hesitate to get in touch with us to learn more.

- Only rinse it thoroughly with clean water to wash away dirt and grime. Do not use abrasive cleaners on your furniture as they can erode the surface and leave scratches.
- For stubborn grime and stains, use a soft sponge and mild soapy water. Then dry it with a cloth or paper towel.
- We recommend the use of furniture covers to protect the product when not in use.
- Check the stability of the screws, nuts, and nut caps before each use. Then, tighten them up after one to two months' use whenever required.
- Avoid improper use, and be careful not to scratch or damage the surface with sharp objects.
- When you move your furniture, lift it rather than pulling or pushing it to avoid damaging the floor and legs.
- In order to prolong the life and beauty of your product, we recommend storing it in a dry and protected area during off season periods.

## WARRANTY

Thank you for purchasing our outdoor furniture, We are pleased to offer a one year warranty on the quality of the product. This warranty covers any manufacturing defects or malfunctions that may occur within the first year of ownership.

### LIMITED WARRANTY

The warranty does not cover commercial use, damages resultina from misuse, negligence, accidents, normal wear and tear, unauthorized repairs or modifications, improper assembly, or failure to adhere to the care and maintenance guidelines provided.

## CERTIFICATION

1.SGS



1.OEKA-TEX



1.BUREAU VERITAS



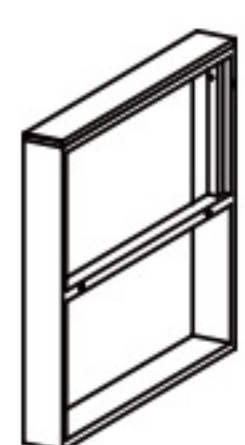
## CALIFORNIA PROPOSITION 65

**⚠ WARNING:** This product can expose you to Carbon monoxide, which is known to the State of California to cause birth defects or other reproductive harm. For more information go to [WWW.P65Warnings.ca.gov](http://WWW.P65Warnings.ca.gov)

# BEFORE ASSEMBLY

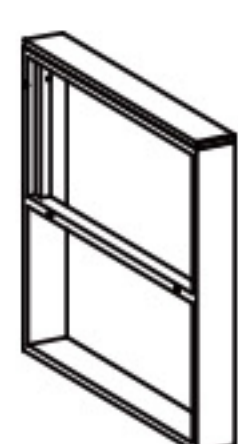
- Please separate and identify all parts, making sure that you have all of the parts listed.
- To avoid any scratch during assembly, please assemble on a soft mat or similar
- Please assemble step by step and follow the instructions.
- Washers must be used.
- Do not completely fasten each screw and nut until all the screws are properly fixed.

## PARTS



Right Armrest

H x 1



Left Armrest

I x 1



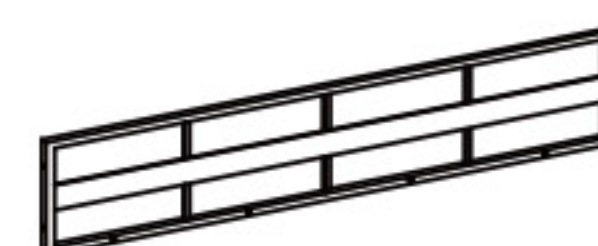
Partition

J x 2



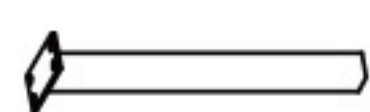
Base Plate

K x 1



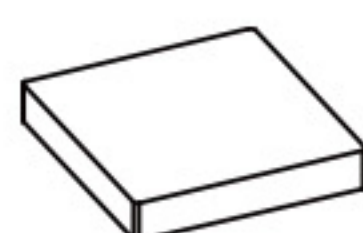
Back Panel

L x 1



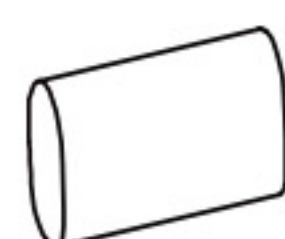
Chair Leg

M x 1



Seat Cushion

N x 3



Back Cushion

O x 3



Adjustable Screw

P x 4



Dowels

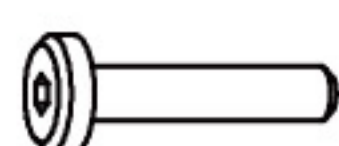
Q x 4

## HARDWARE



M6x15MM

R x 4



M6\*35MM

S x 10



Screw Washer

T x 14

## TOOL



Allen Wrench

U x 1



1 PERSON  
ASSEMBLY

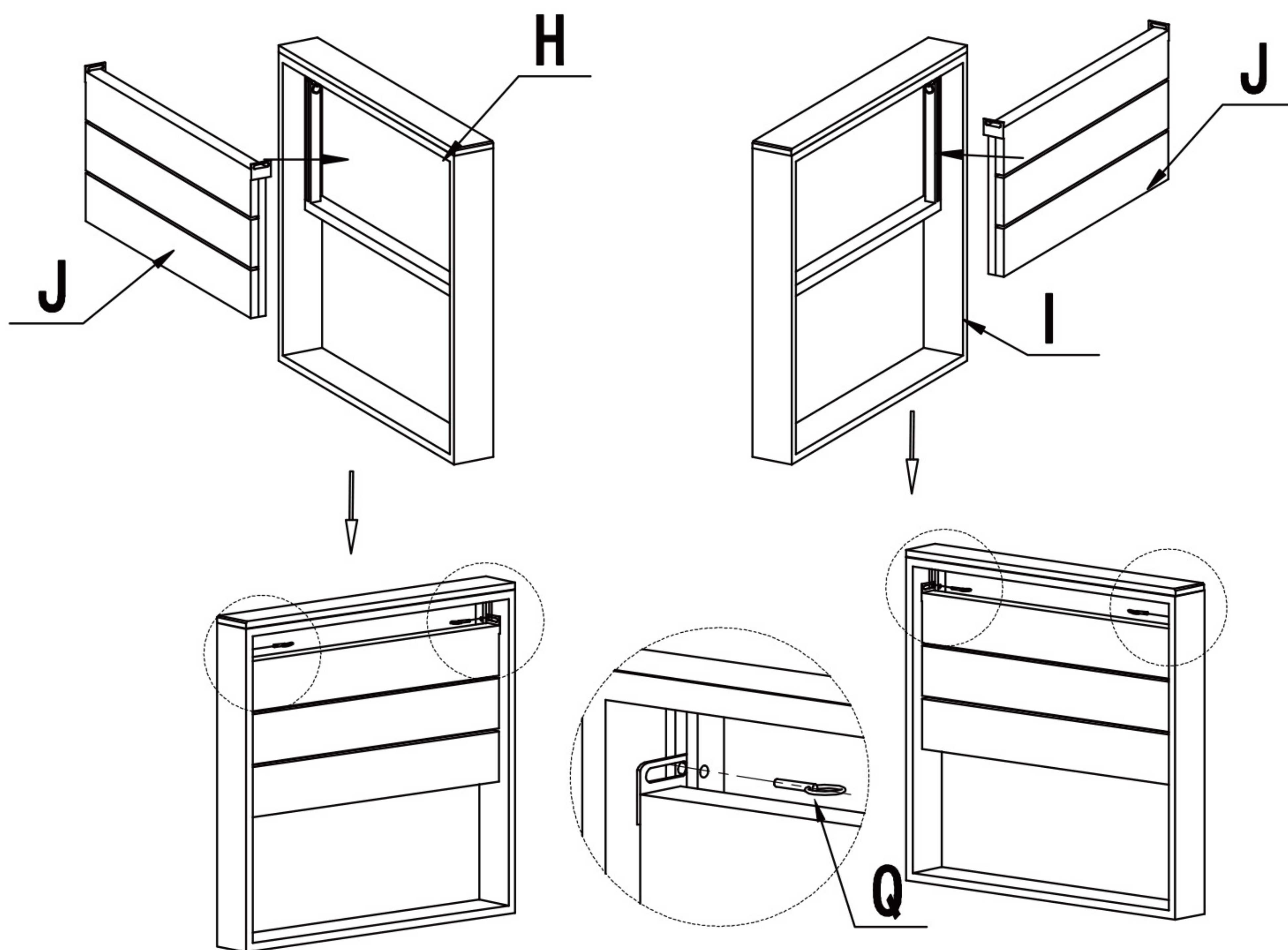


UP TO 30 MIN.  
ASSEMBLY

# ASSEMBLY

## Step 1

Align the armrest holes H and I with the side panel holes J and insert the Dowels Q.

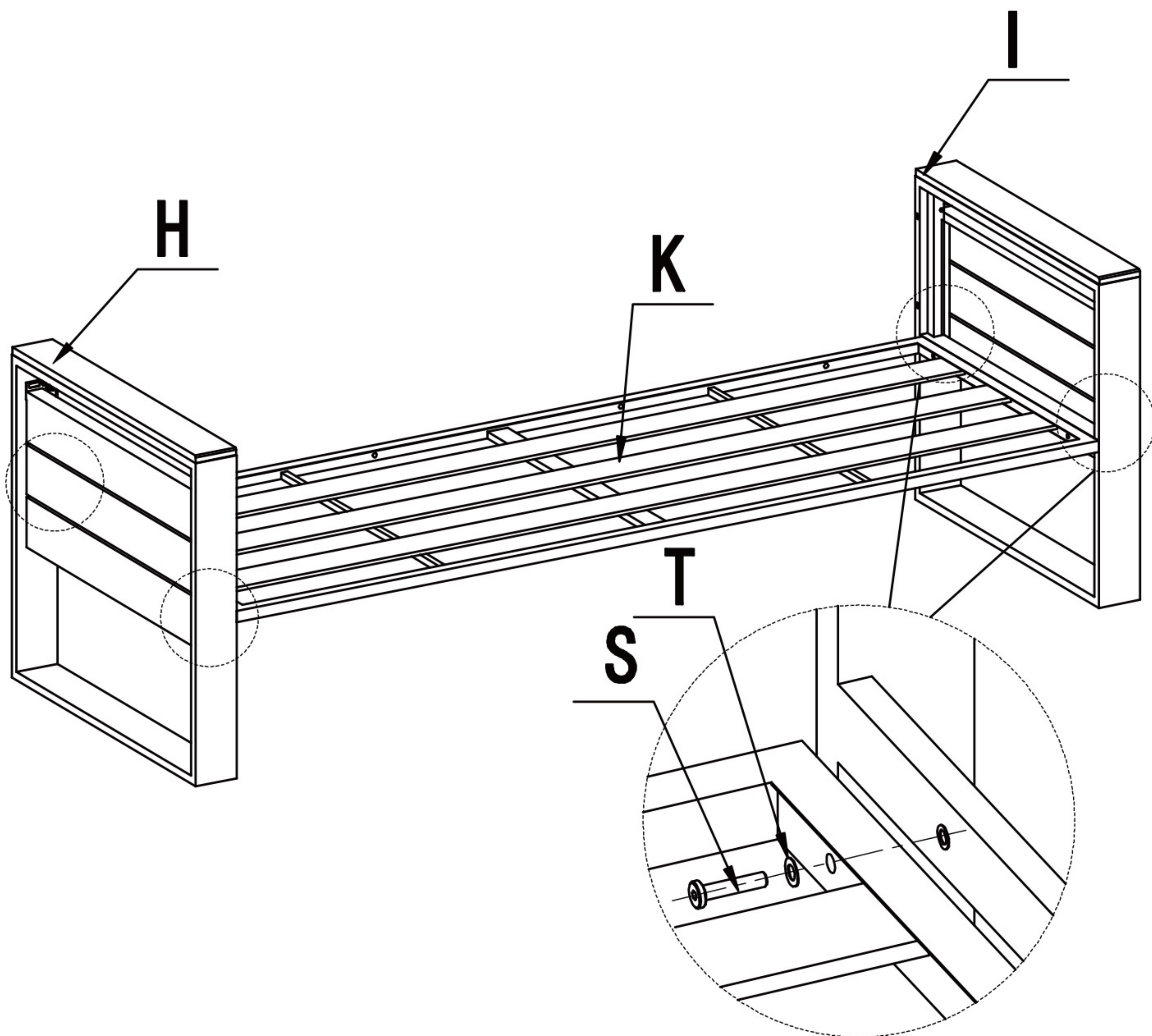


<b>H</b> x1	<b>I</b> x1
<b>J</b> x2	<b>Q</b> x4

# ASSEMBLY

## Step 2

Secure base plate K between armrests H and I with washers T and screws S.



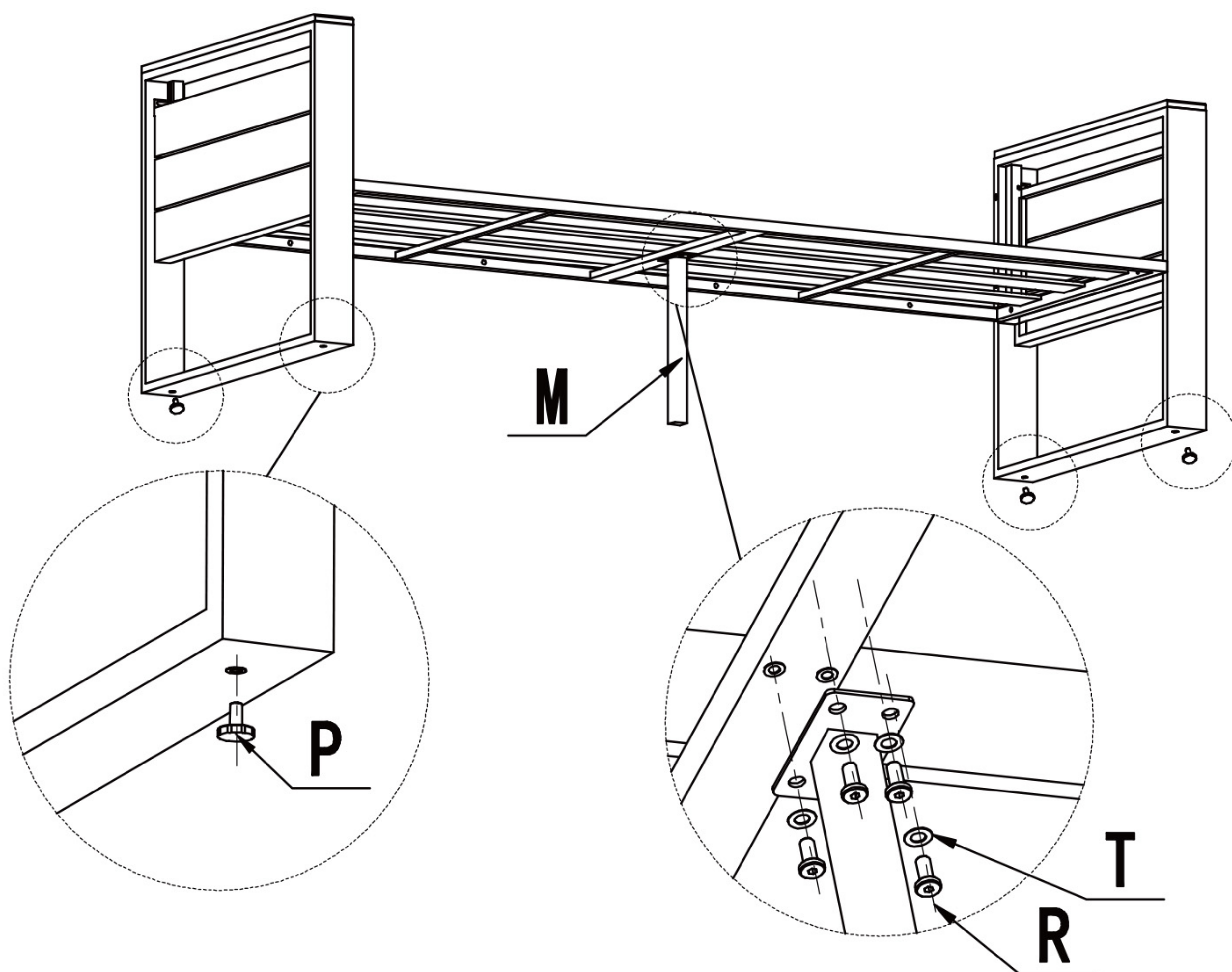
**K** x1   **S** x4   **T** x4

# ASSEMBLY

## Step 3

Assemble the chair leg M beneath the base plate K with washers T and screws R.

Insert the adjustable screws P into the bottom of the armrest.

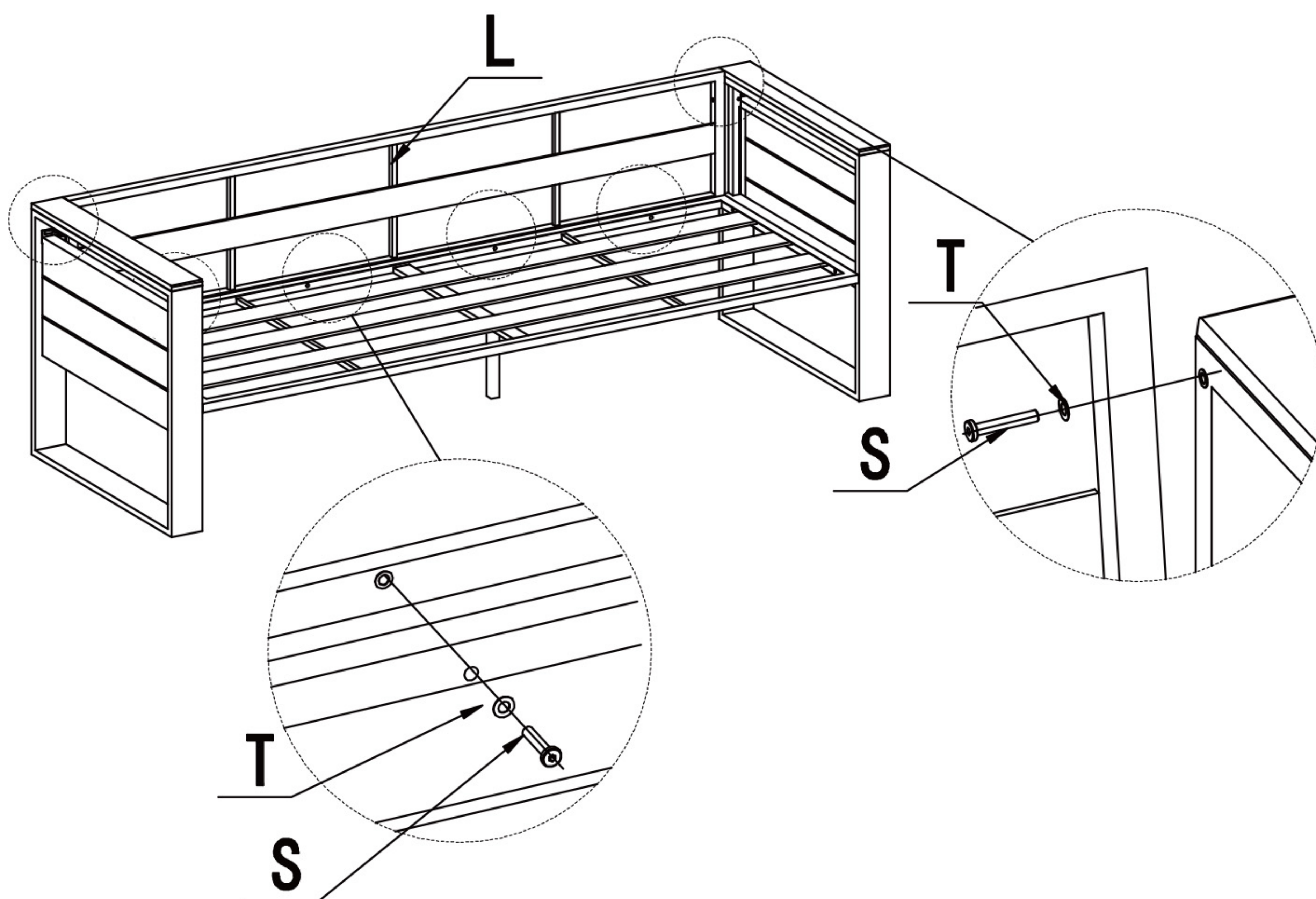


<b>M</b> x1	<b>P</b> x4
<b>R</b> x4	<b>T</b> x4

# ASSEMBLY

## Step 4

Attach the back panel L to the assembled section with washers T and screws S.



**L** x1   **T** x6   **S** x6

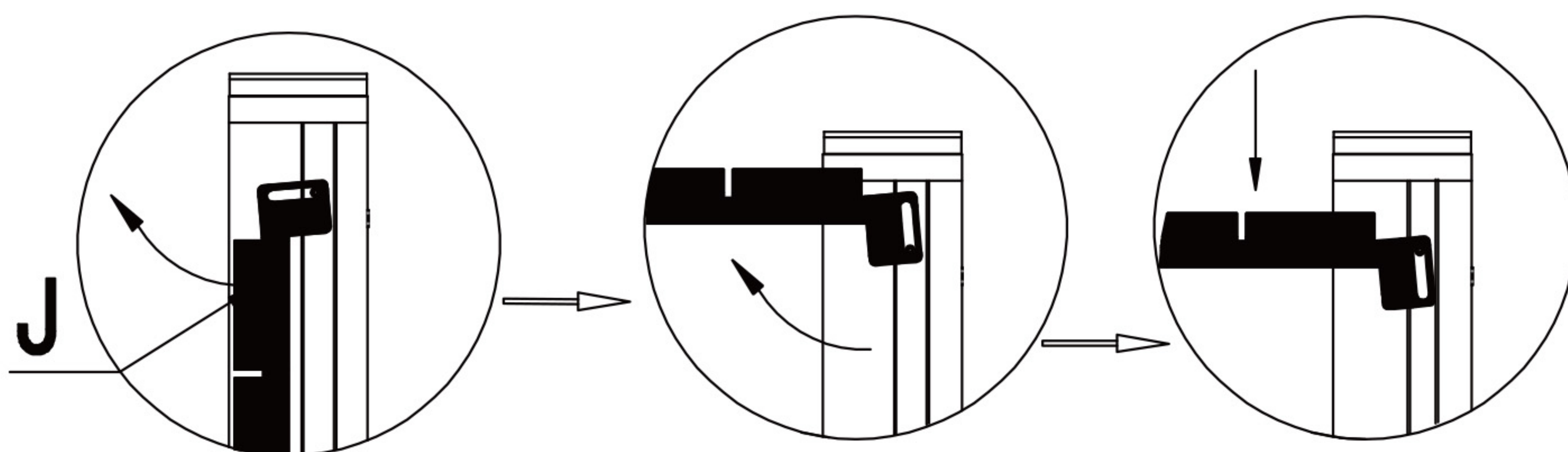
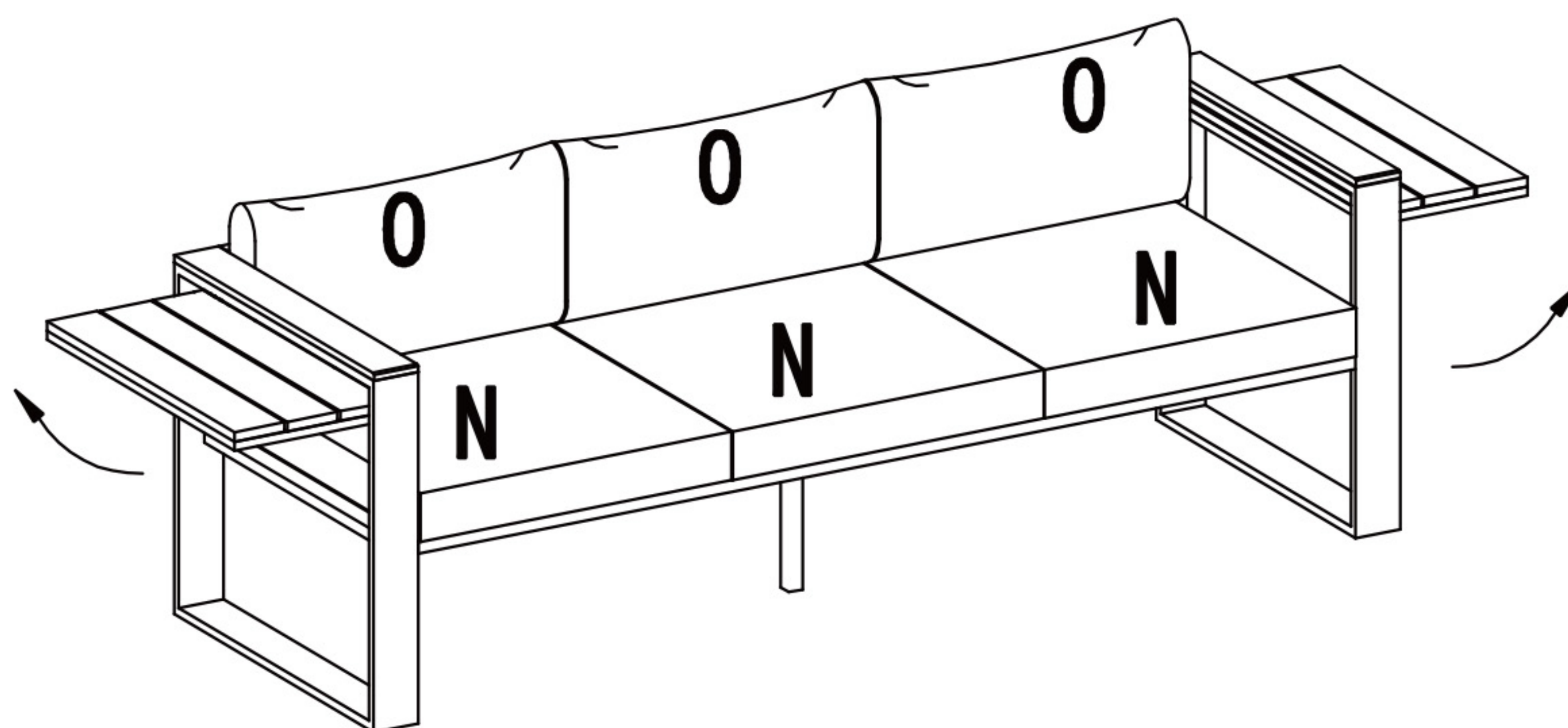
# ASSEMBLY

## Step 5

Place the back cushions O and seat cushions N on the frame.

Tips: Side panel J can be folded up or down.

To fold the side panel down, lift it upward slightly first, then lower it.



**O** x3   **N** x3

**QUESTION ABOUT OUR PRODUCT? WE'RE HERE TO HELP.**

————— Contact us at: [service@sundaleoutdoor.com](mailto:service@sundaleoutdoor.com) —————