

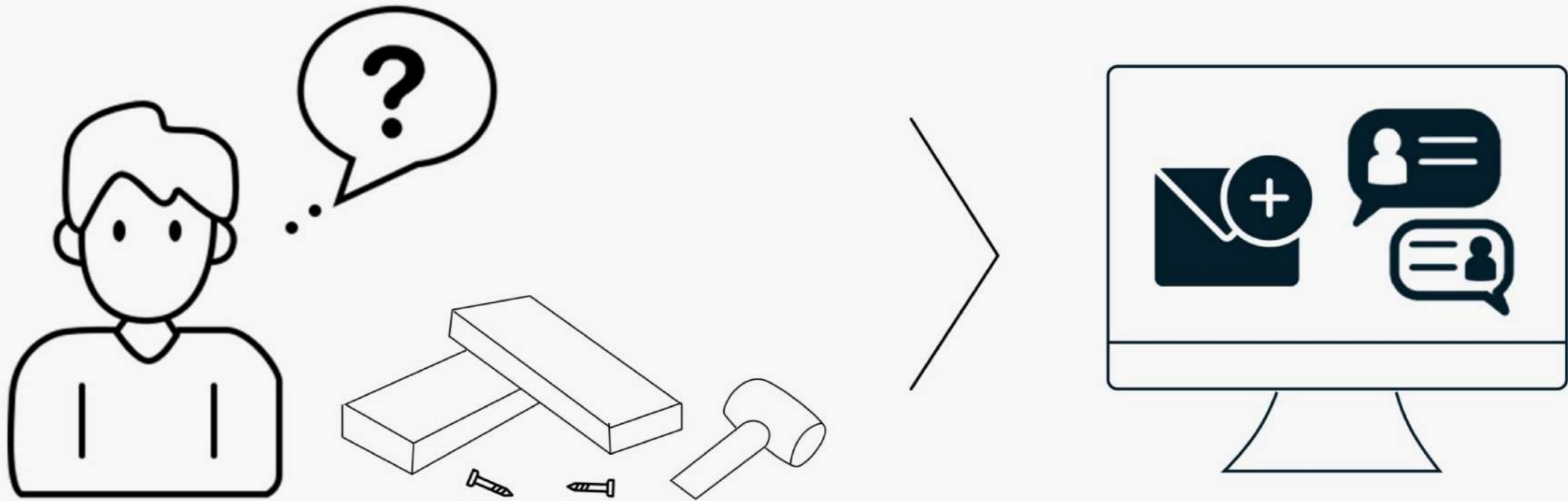
INSTRUCTION MANUAL

51 Inches Rectangle Fire Pit Table

OIFT-003-GY/OIFT-003-SP/OIFT-003-BN

An artist of outdoor living.

We promotes the idea of turning any outdoor area into a relaxing space with outdoor furniture.





Questions? Comments?

Reach out to us for expert support!

 service@sundaleoutdoor.com

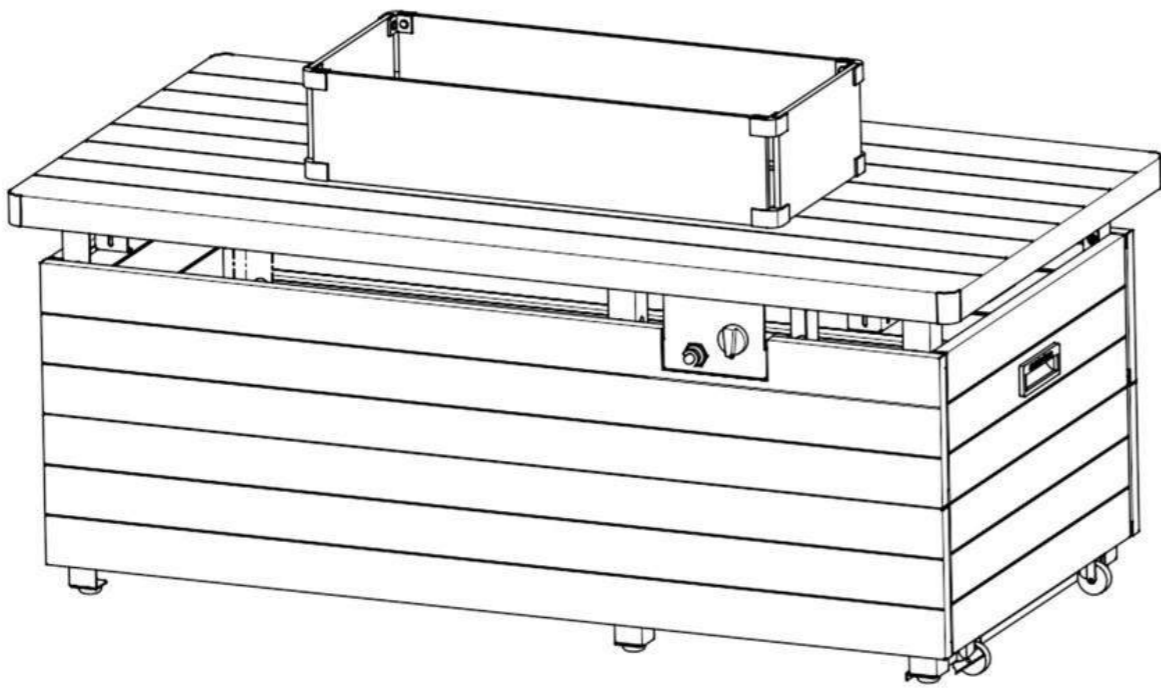
 sundaleoutdoor.com

 +1 888-572-2312
(Monday to Friday, EST 9:00 AM-12:00PM, 1:00 PM-6:00PM)

 2080 S Cucamonga Ave,
Ontario, CA 91761

Follow sundaleoutdoor on





INSTALLER: Leave this manual with the appliance.

CONSUMER: Retain this manual for future reference.



WARNING:

**DO NOT LEAVE FIRE PIT UNATTENDED WHEN IN USE,
FOR OUTDOOR USE ONLY**

IF YOU SMELL GAS OR BURNING RUBBER:

- Do not attempt to light appliance.
- Extinguish flames and disconnect tank.
- Move people away from the immediate area.
- If the odor persists, stay away and call your gas supplier or the fire department immediately.

Do not store or use gasoline or other flammable vapors and liquids near this fire pit table. LP gas cylinders not connected for use can not be stored near this fire pit table.

CARBON MONOXIDE HAZARD:

⚠ DANGER



This appliance produces odorless carbon monoxide. Use in a confined space can cause death. Do not use in a confined space such as a camper, tent, automobile or indoors.



WARNING:
FOR OUTDOOR USE ONLY.
DO NOT USE OR STORE CYLINDERS IN BUILDINGS,
GARAGES OR ENCLOSED AREAS.

ATTENTION:

Inform your LPG supplier. Remove any trapped air from the cylinder before the first filling.

Check the cylinder recertification date.

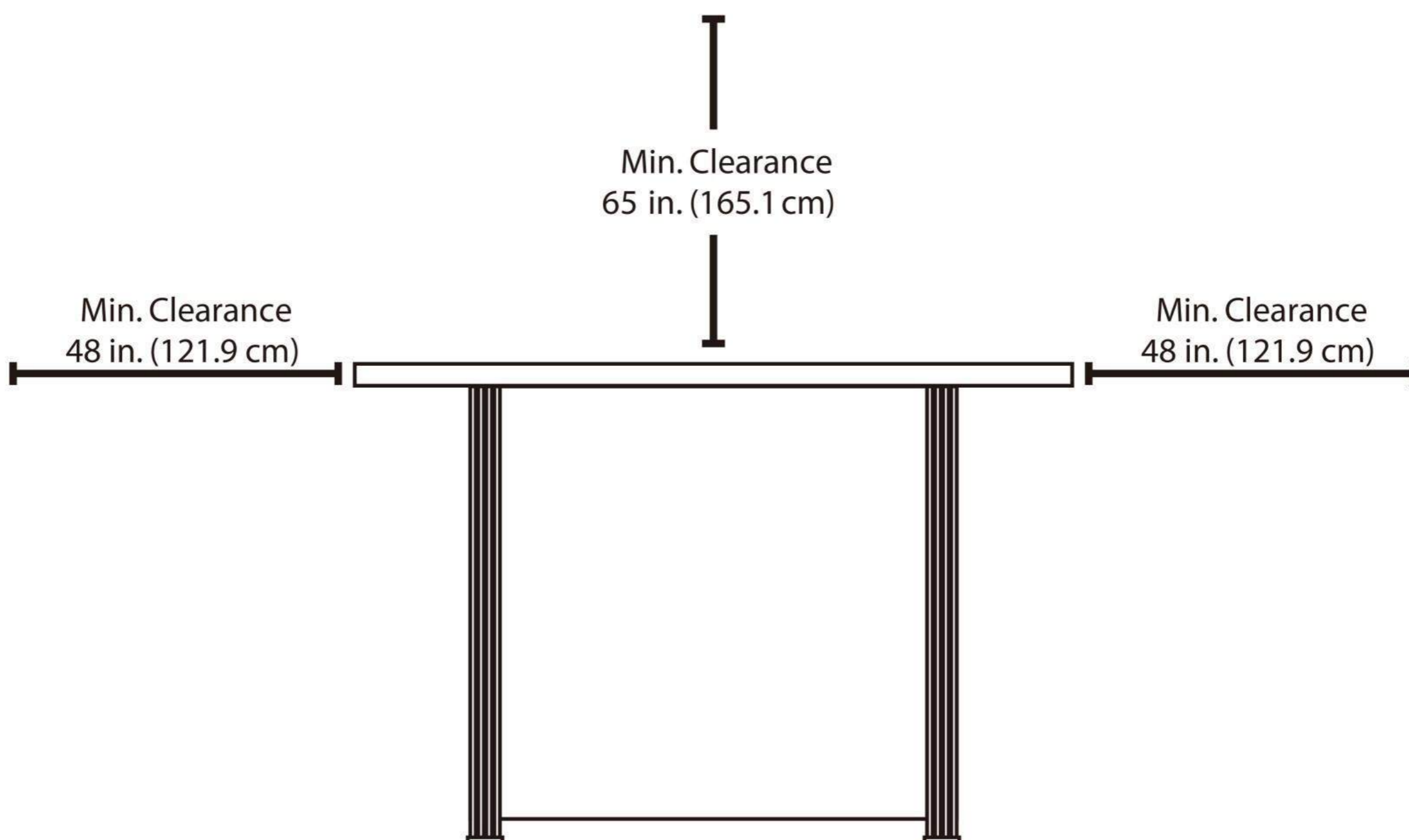
Frostbite can occur from contact with the liquid in the cylinder. Children can not tamper with or play with cylinders.

FUEL HOSE WARNING

- Do not make the fuel hose to contact the burner tray or fire bowl as this could cause a gas leak, fire, injury, and death.
- Check the hose before every time use.
- A damaged or failing hose should not be used.

FOR YOUR SAFETY:

Keep the fire pit at least 65 in (165.1cm) from the top, 48 in (121.9cm) from all sides and back all times. Do not locate this fire table under any overhead enclosure.



 **WARNING:**

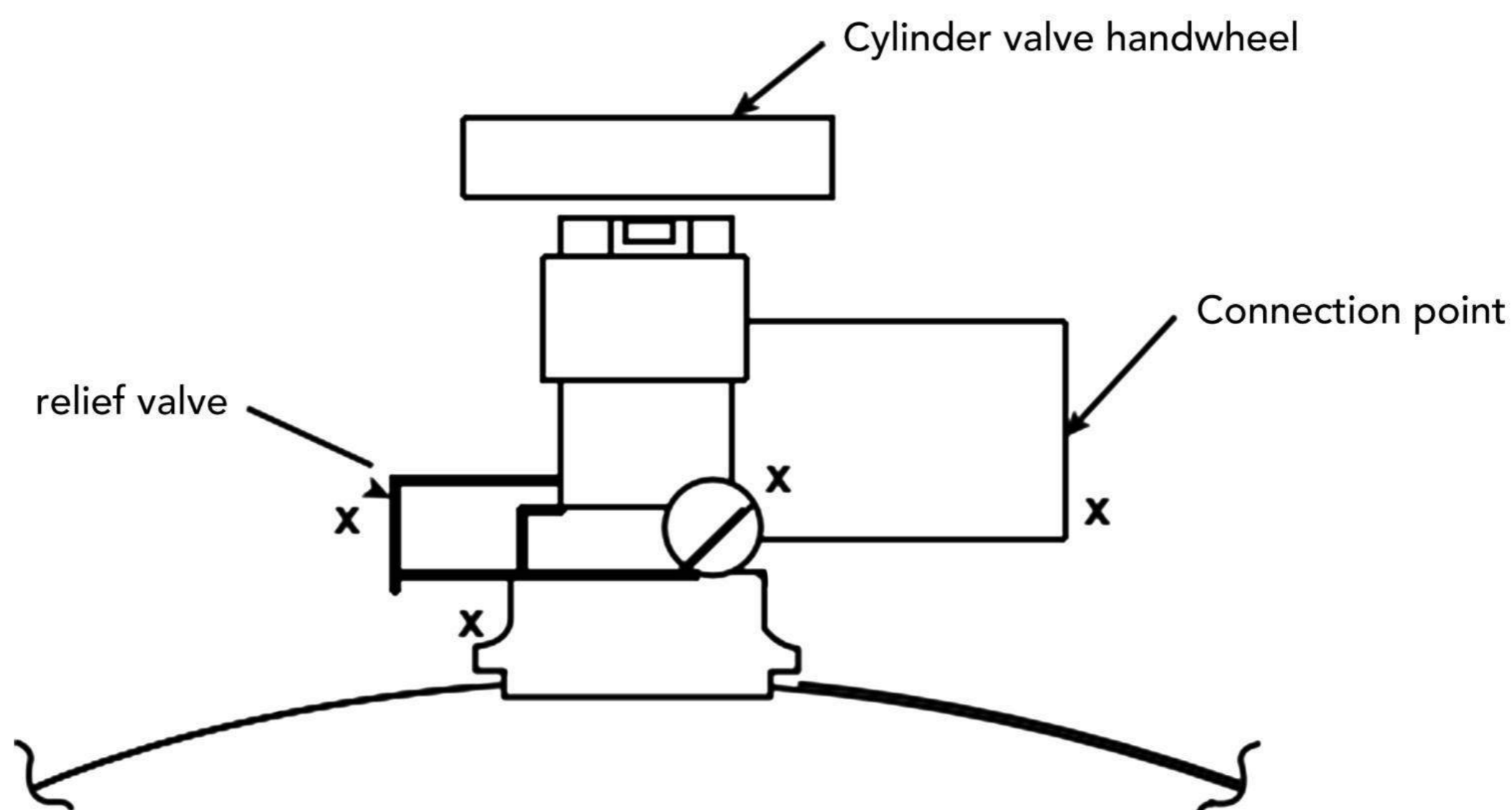
Improper installation, adjustment, alteration, service or maintenance may result in injury or property damage. Read through the installation, operation and maintenance instructions before installing or servicing this equipment.

 **CALIFORNIA PROPOSITION 65**

1. Fuels used in gas burning appliances and the combustion byproducts of such fuels, can expose you to chemicals including carbon monoxide, which is known to the State of California to cause birth defects or other reproductive harm.
2. This product can expose you to Carbon monoxide, which is known to the State of California to cause birth defects or other reproductive harm. For more information go to www.P65Warnings.ca.gov.

NOTE

Before use, apply soapy water to the area marked with an 'x'.
Open the cylinder valve. If bubbles appear, close the valve and let the LPG service person carry out the necessary repairs.
Also, check the appliance valves and connections to make sure they are not leaking before lighting the appliance.
Keep the gas cylinder valve closed when the appliance is not in use.



DANGER!

Do not store spare LPG cylinders under or near a heat source. Do not fill LPG cylinders more than 80% to avoid the risk of fire resulting in death or serious injury.



WARNING!

Read and follow all warnings and instructions thoroughly before appliance assembly, service, and use.

WARNING!

Turn off gas supply when the appliance is not in use. If the appliance is stored indoors, detach and leave LP-Gas cylinder outdoors.

WARNING!

This appliance must be attended at all times!

SAFETY NOTICES

Installation must comply with local codes. In the absence of local codes, comply with the National Gas Code ANSI Z223.1.NFPA 54, the National Fuel Gas Code, the Natural Gas and Propane Installation Code CSA B149.1; or the Propane Storage and Handling Code CSA B149.2, as applicable.

Maximum gas supply pressure is 250 PSI.

During any pressure test of a gas supply system with a test pressure equal to or less than 1/2 psi (3.5 kPa), the appliance shall be isolated from the gas supply system by closing its individual manual shut-off valve.

Using area must be kept clean and free from combustible materials, petrol and other flammable vapours and liquids.

Do not use the fire pit table if any part is submerged in water. Immediately call a qualified service technician to inspect the appliance and replace any parts of the control system and any gas controls that have been submerged in water.

Fire pit operates at reduced efficiency in temperatures below 40°F.

Only use this appliance on a hard and level surface such as concrete or rock.

Do not use on plastic composite or artificial wood decks.

For use with propane gas tanks only (not included).

Fire pit must be attended by adults at all times. Do not leave children and pets around a fire pit when in use. Be aware of the dangers of high surface temperatures and stay away to avoid burns or clothing catching fire.

Do not stand on or use any part of this item as a step ladder.

Improper adjustment, installation, usage, and maintenance could result in an explosion and cause serious injury or property damage.

If any parts are missing, broken, damaged, or worn, stop using this product until repairs are made and/or factory replacement parts are installed.

Do not use this item in a way inconsistent with the manufacturer's instructions as this could void the product warranty.

WARNINGS

- Do not use this outdoor gas appliance for indoor heating. TOXIC carbon monoxide fumes can accumulate and cause asphyxiation.
- After a period of storage, and/or non use, the propane appliance should be checked for gas leaks and burner obstructions before use.
- Do not use a flame to check for gas leaks.
- Do not use this fire pit under trees or near any other unprotected combustible area.
- Do not connect to a remote gas supply.
- Do not use with natural gas.
- Do not use petrol, kerosene or other liquid fuels for fires.
- Do not use solid fuel or charcoal on this fire pit.
- Do not burn anything other than what is provided.
- Do not place clothing or flammable materials near the fire pit.
- Be careful when igniting fire pit as flame may flare and cause injury.
- Do not pour water onto any part of the fire pit.
- Keep a safe distance from the fire pit when in use. Do not sit or rest hands/feet on fire pit.
- To avoid burns, do not touch or move any part of this fire pit when in use; wait until it has completely cooled.
- Never lean over the open appliance or place hands or fingers on the upper portion of an operational unit.
- Do not allow children to operate this fire pit.
- Do not breathe smoke from the fire pit and avoid getting smoke in your eyes.
- Do not alter this appliance. Any alteration can cause a safety hazard.
- Do not use any accessory or fitting other than original accessories and fittings.
- Keep all electrical cords and hoses away from heated surfaces.
- Be aware that items stored under the fire pit will be subject to radiant heat and could be damaged.
- Do NOT use in windy conditions.
- Do not enlarge valve orifices or burner ports when cleaning the valve or burner.
- Liquid propane gas is not natural gas. This appliance is manufactured and preset for use with propane gas ONLY.
- The conversion or attempted use of natural gas in a liquid propane unit or liquid propane gas in a natural gas unit is dangerous.
- This outdoor appliance is for use with liquid propane (LP) gas only. The conversion to or attempted use of natural gas in this outdoor appliance is dangerous and will void your warranty.

FOR LIQUID PROPANE GAS UNITS

LP gas is flammable and hazardous if handled improperly. Become aware of the characteristics before using any LP gas product.

Propane Characteristics:

- Flammable, explosive under pressure, heavier than air and settles in pools in low areas.
- In its natural state, propane has no odor. For your safety, an odorant has been added.
- Contact with propane could burn the skin.

A dented or rusty liquid propane cylinder may be hazardous and should be checked by your gas supplier prior to use.

Do not use a liquid propane cylinder with a damaged valve and any other worn out parts.

Transport and store the empty gas cylinders carefully and properly. Cylinders must be stored outdoors in a well-ventilated area out of the reach of children.

Young children should be carefully supervised when they are in the area of the appliance.

Disconnected cylinders must have threaded valve plugs tightly installed and must not be stored in a building, garage or any enclosed area. other

Never use a propane cylinder with a damaged body, valve, collar or footing.

Routinely check hoses for wear or abrasions. Do not use if hoses are damaged.

LP Tank used must include a collar to protect the cylinder valve.

The LP gas tank must have a listed overfilling prevention device (OPD) and a QCCI or Type I (CGA791) LP gas tank connection.

The LP gas tank should not be dropped or handled roughly.

Only use standard 20 lb propane tanks.

The maximum gas supply pressure is 250 PSI.

Do not fill the tank to more than 80% of its capacity.

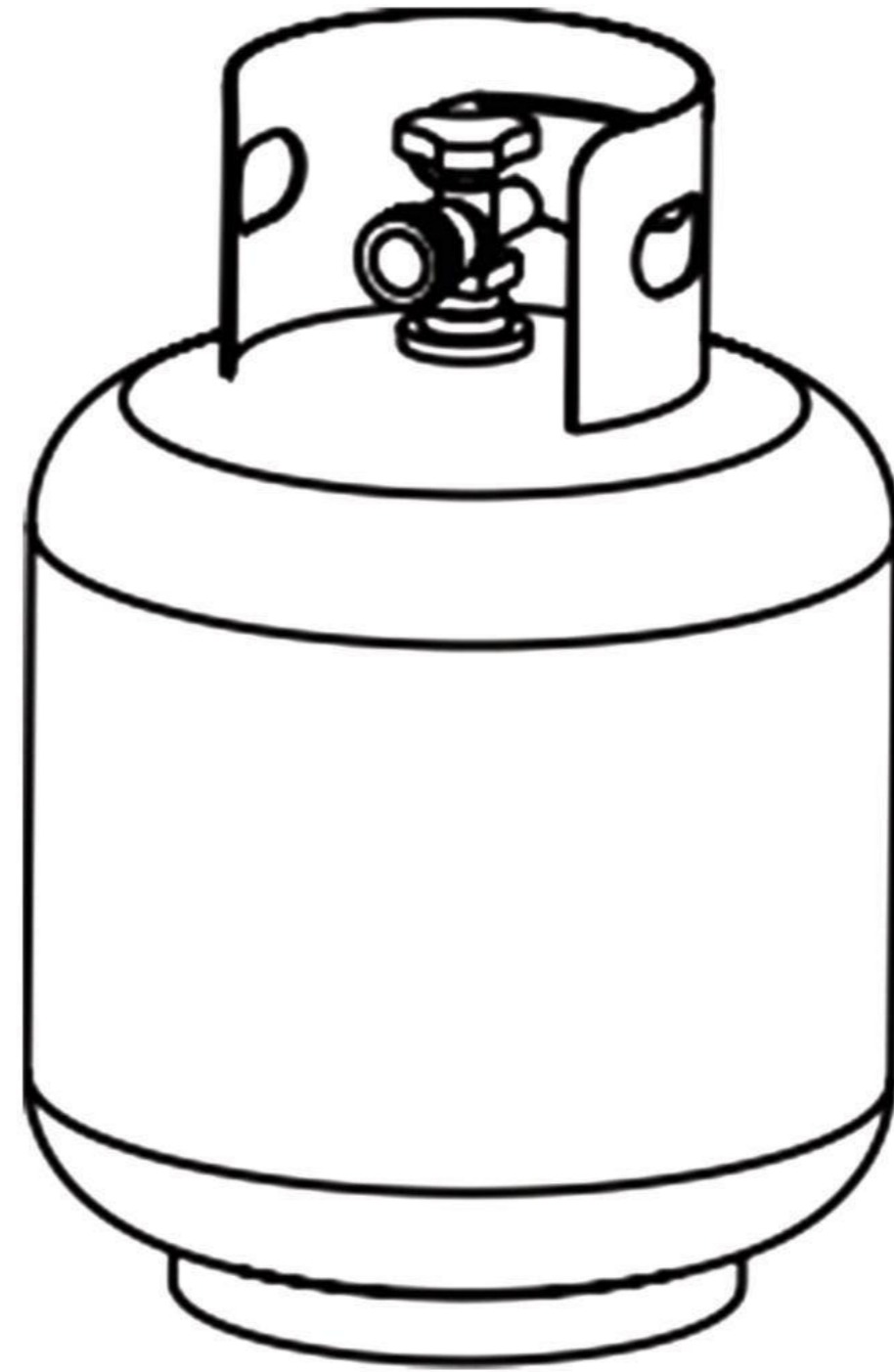
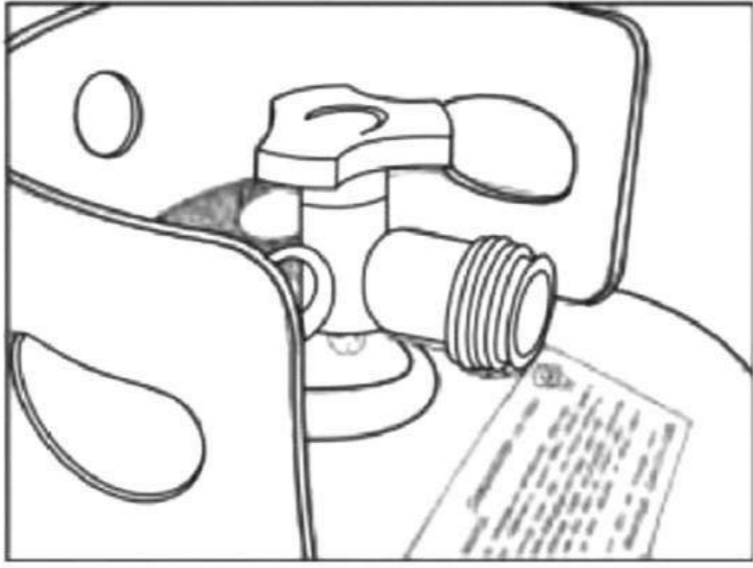
Using too much propane can cause a build-up of gas that will not burn.

Check for leaks by brushing a mixture of soap and water on all connections. If large bubbles form when gas is turned on, there may be a leak.

Be sure to organize fuel hose to prevent accidental tripping.

⚠ WARNINGS

CSA (Canadian Standards Association) certified to ANSI Z21.97-2017 • CSA 2.41-2017 "Outdoor Decorative Gas Appliances". Do not connect to a remote gas supply.



SPECIFICATIONS

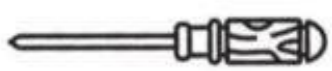
INPUT	50000 BTU/hr
Propane Regulator Pressure	11 inches water column

READ BEFORE ASSEMBLY

Assemble the item on a soft, non-abrasive surface, such as carpet or cardboard to avoid damaging the item. Seek assistance to assemble bulky or heavy items. Before beginning assembly, make sure all parts are present. If any parts are missing or damaged, do not attempt to assemble the products. Contact customer service for replacement parts via service email.

Please note that screws should be fastened loosely during the initial assembly stage. They should not be firmly tightened until the item is fully assembled.

READ BEFORE ASSEMBLY



PHILLIPS SCREWDRIVER
(PROVIDED)



ALLEN WRENCH
(PROVIDED)



ONE AAA BATTERIES
(NOT INCLUDED)

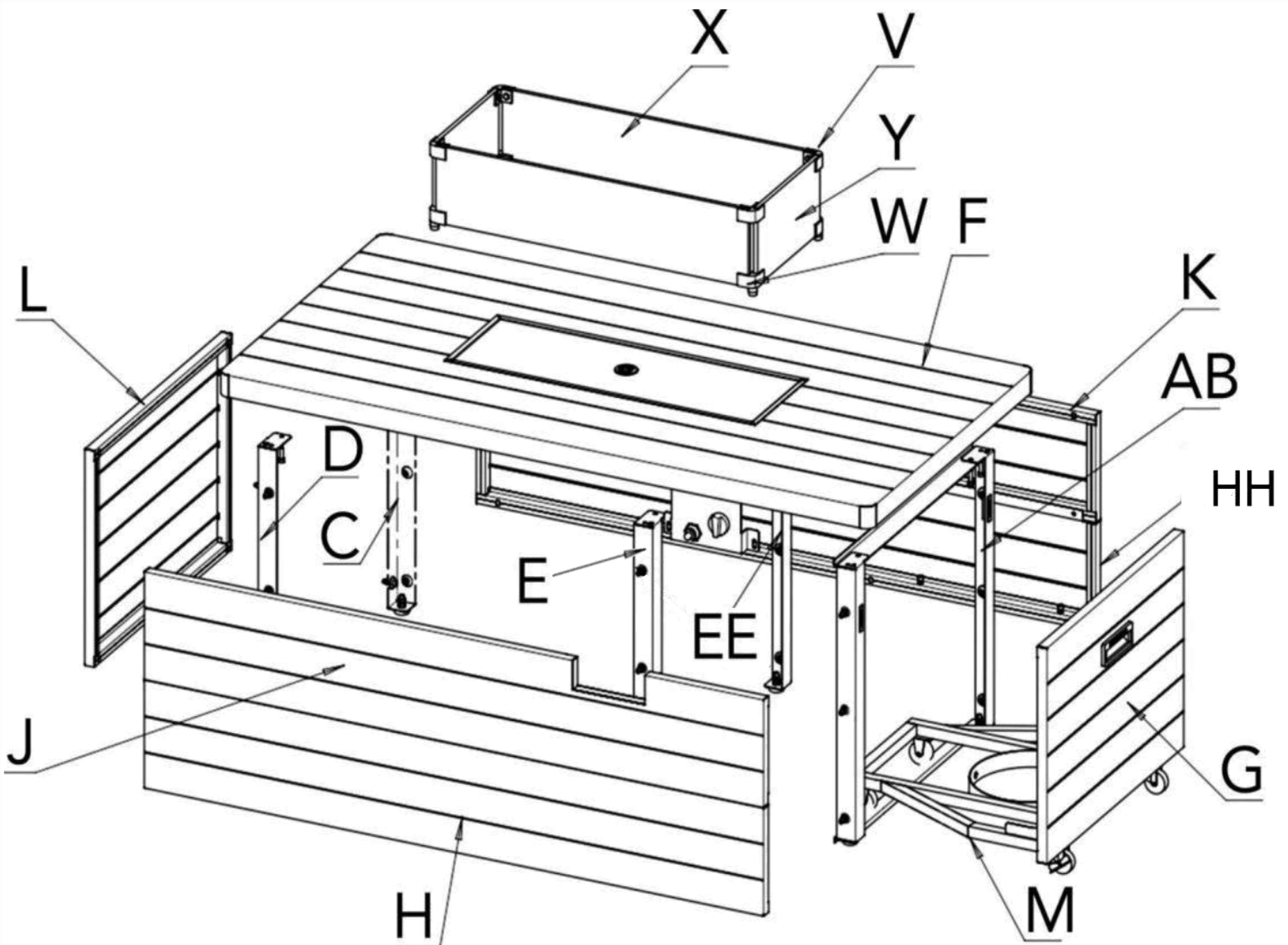


1 PERSON
ASSEMBLY

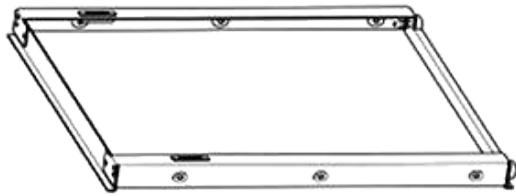

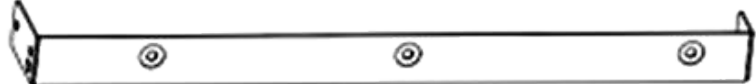
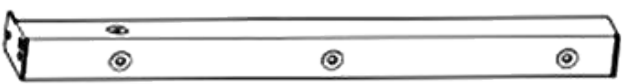
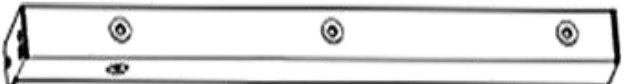
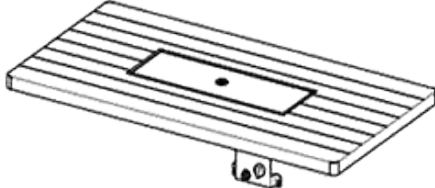

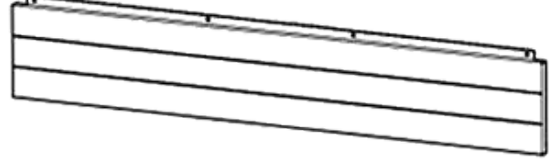
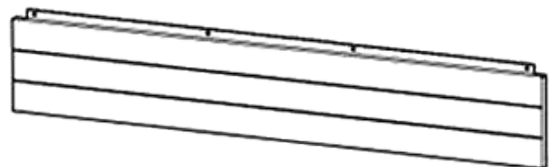


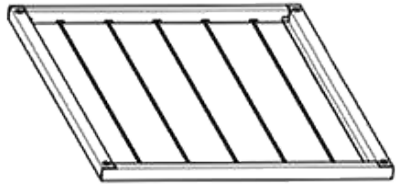
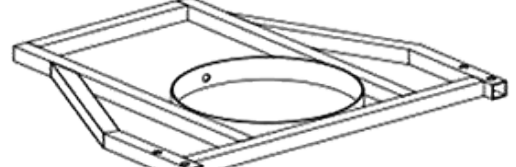



UP TO 45 MIN.
ASSEMBLY

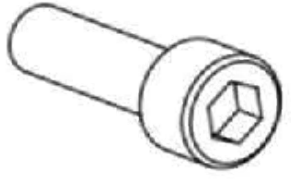









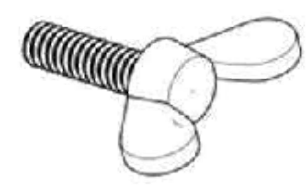


PARTS DIAGRAM



PARTS LIST

Part #	QTY	Description	image
AB	1	Right Leg Panel	
C	1	Left Column I	
D	1	Left Column II	
E	1	Middle Column	E 
EE	1	Middle Column	EE 
F	1	Table Top	
G	1	Side Door	
H	1	Front Lower Panel	H 
HH	1	Back Lower Panel	HH 
J	1	Front Upper Panel	
K	1	Back Upper Panel	
L	1	Side Panel	
M	1	Cylinder Base	
N	2	Connection Part	

PARTS LIST

Part #	QTY	Description	image
O	46	M6 Screw	
R	14+2	M5 Screw	
P	1	M6 Allen Wrench	
S	2	Directional Wheel	
U	2	Universal Wheel	
T	1	Phillips Screwdriver	
V	4	Glass Bracket I	
W	4	Glass Bracket II	
X	2	Long Glass Wind Guard	
Y	2	Short Glass Wind Guard	
Z	1	Oxhorn Screw	
AA	1	Cover	
CC	1	Lava rock	

PRODUCT ASSEMBLY

STEP 1

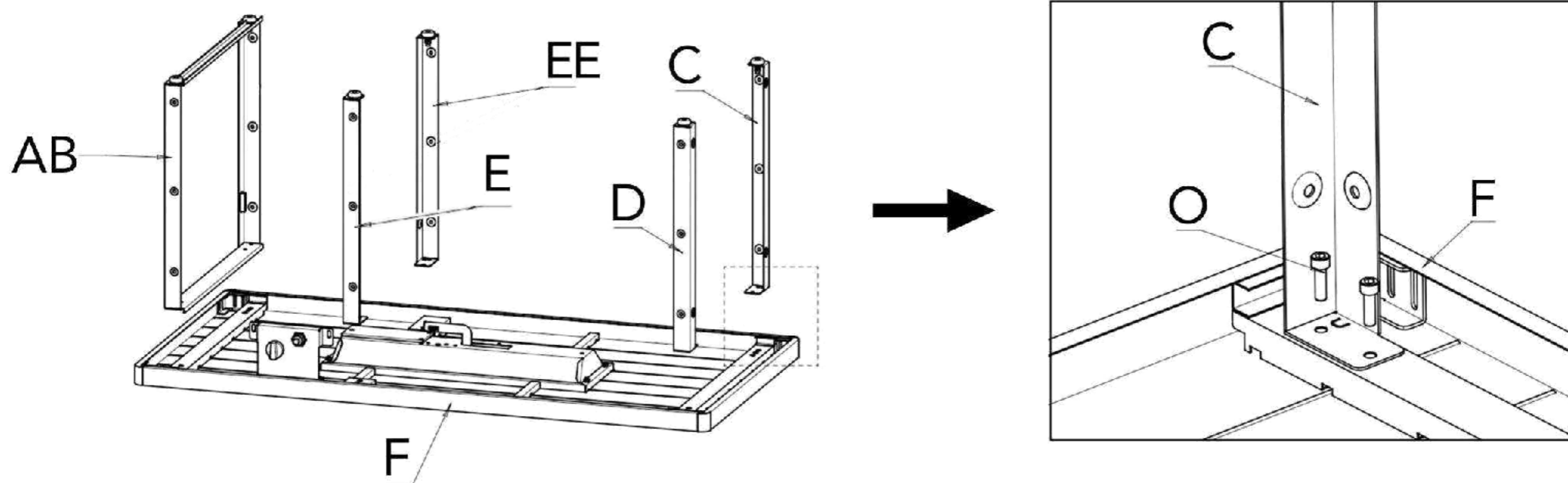
Wear gloves to prevent scratching.

Put the tabletop (Part F) on a soft, non-abrasive surface.

Press the Magnetic Suction Parts (Part B) into the AB leg.

Attach 5 leg parts (Part AB; Part E; Part C; Part D) to the table top with 12 M6 screws.

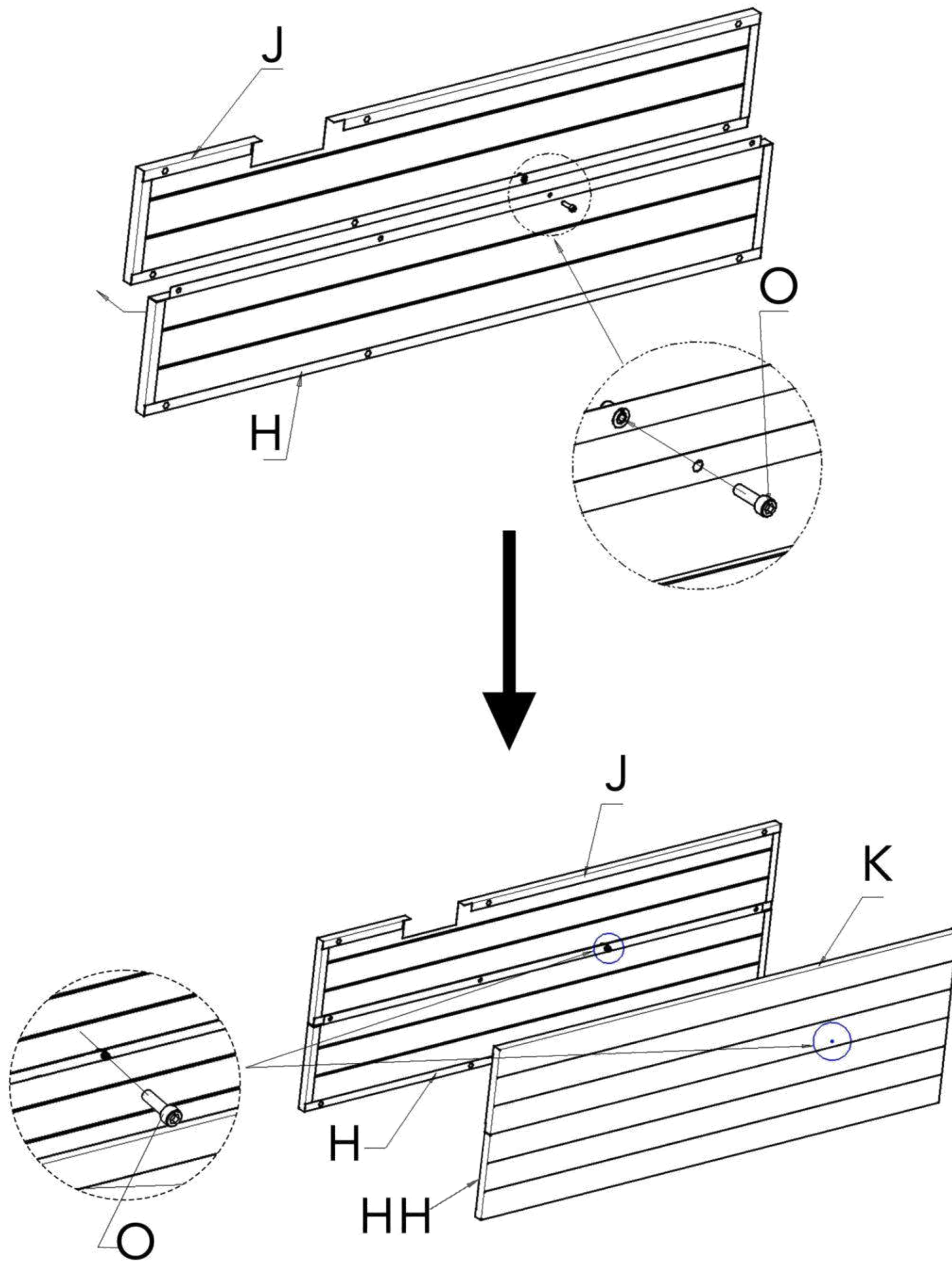
NOTE: Assemble all fastenings loosely, do not tighten the panels down until final assembly.



AB x1 **C** x1 **D** x1
E x1 **EE** x1 **F** x1 **O** x12

STEP 2

Use 1 piece O screw to connect panel H and panel J, and repeat the same step with panel HH and K.



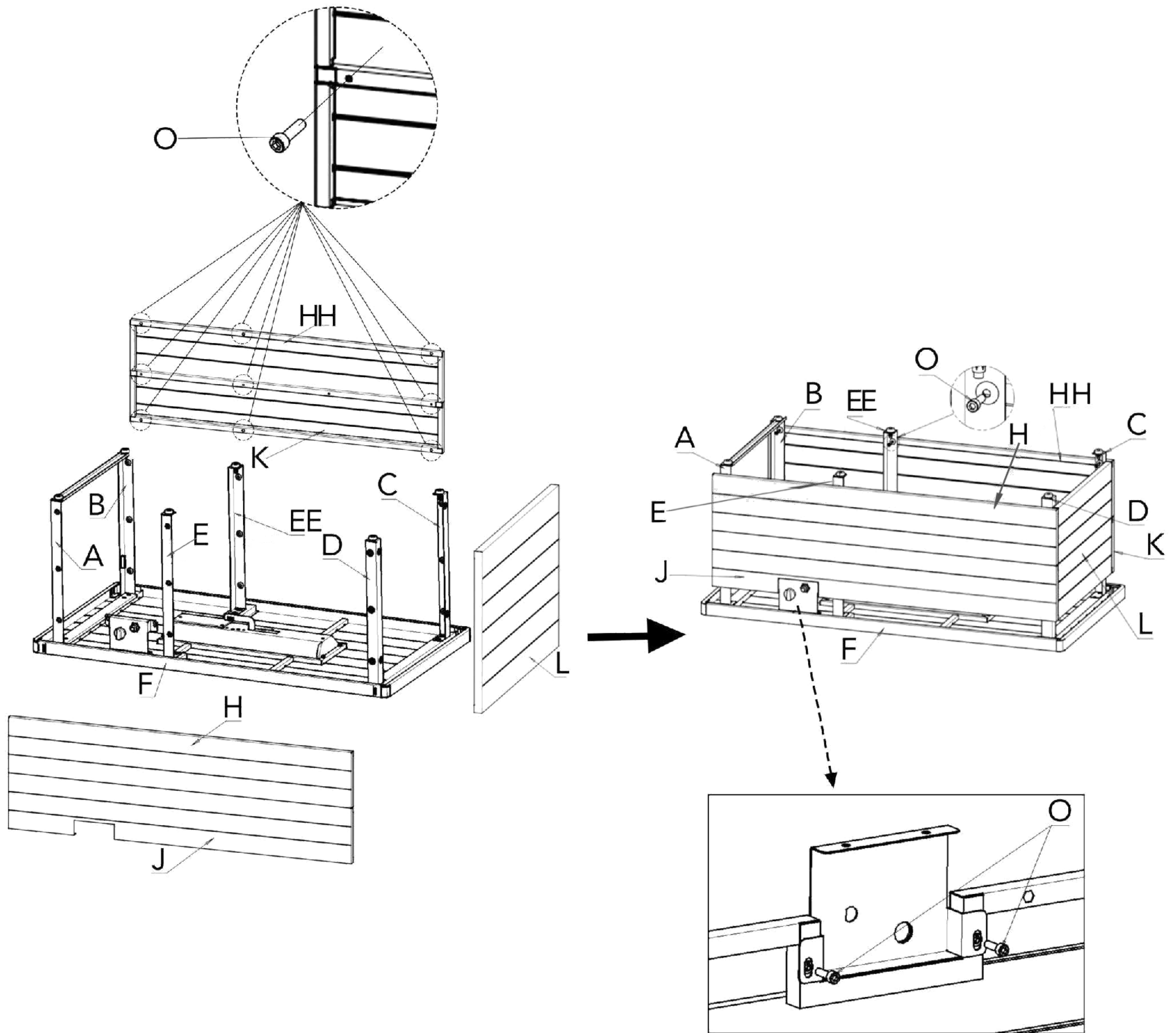
H x1	J x1	K x1
HH x1	O x2	

STEP 3

Attach front, side, back panels to each legs with 22 M6 screws.

Note: The side panel should be assembled on the C and D legs.

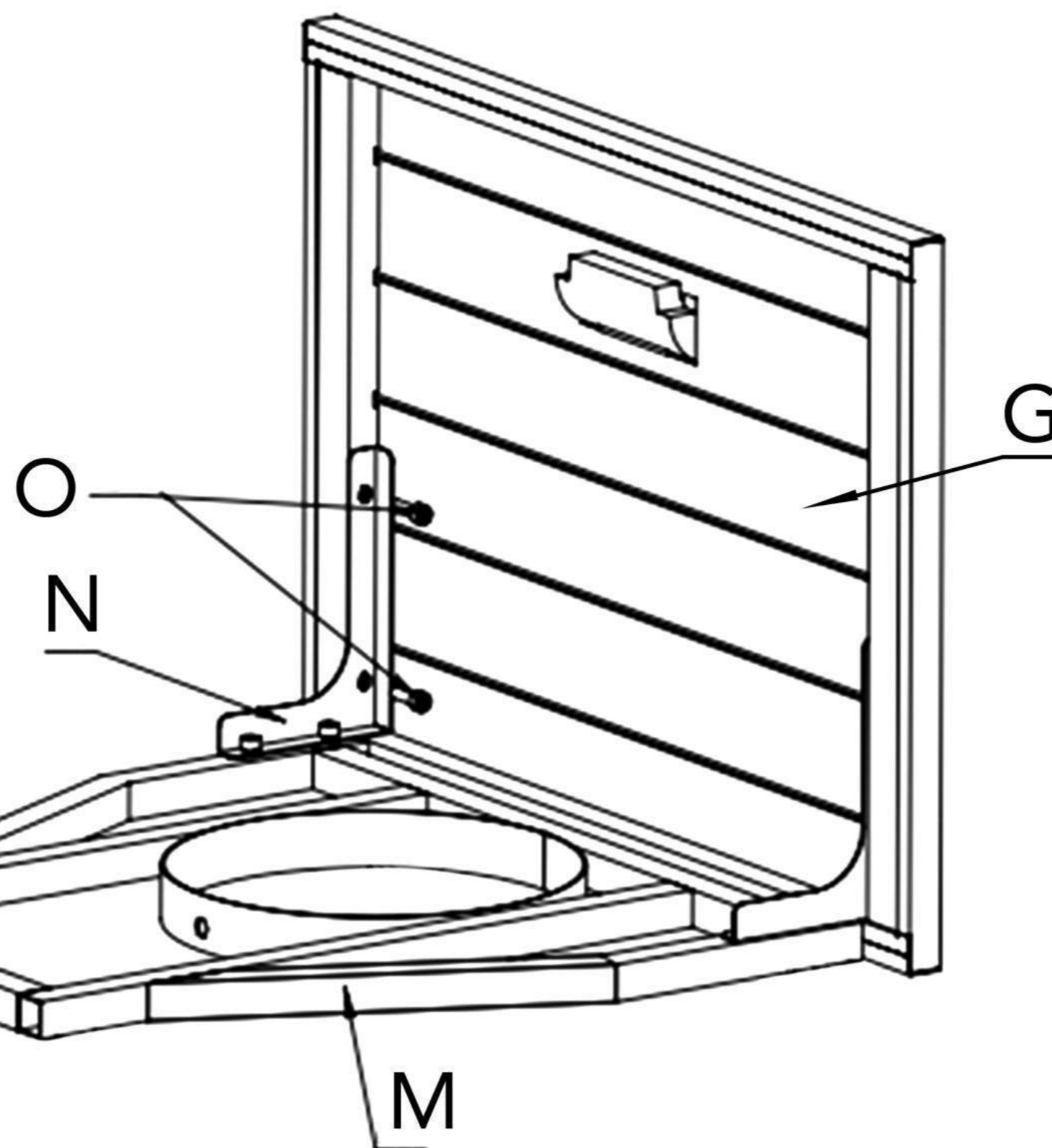
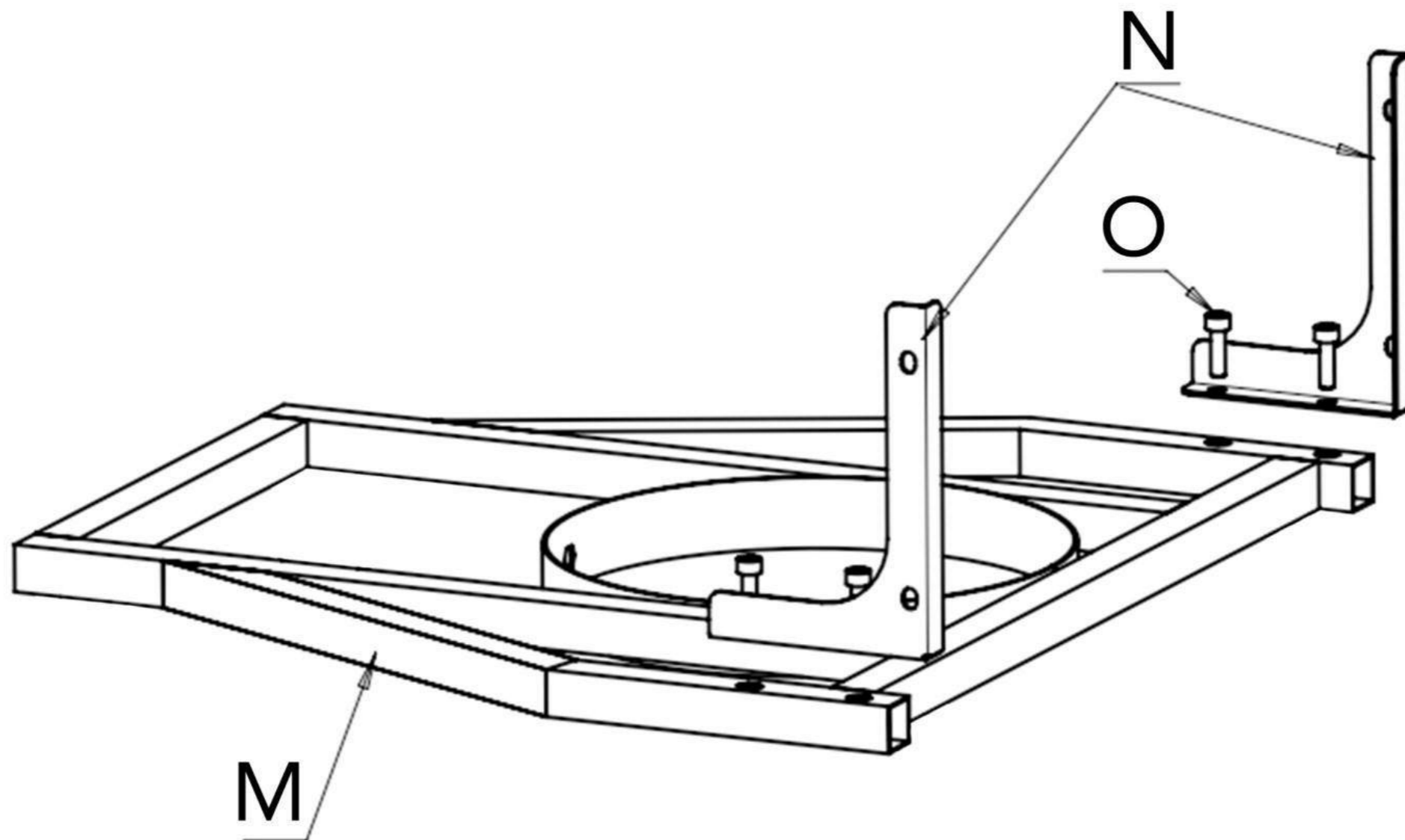
Use 2 M6 screws to connect control panel with front panel.



- | | | |
|--------------|-------------|--------------|
| H x1 | J x1 | K x1 |
| HH x1 | L x1 | O x24 |

STEP 4

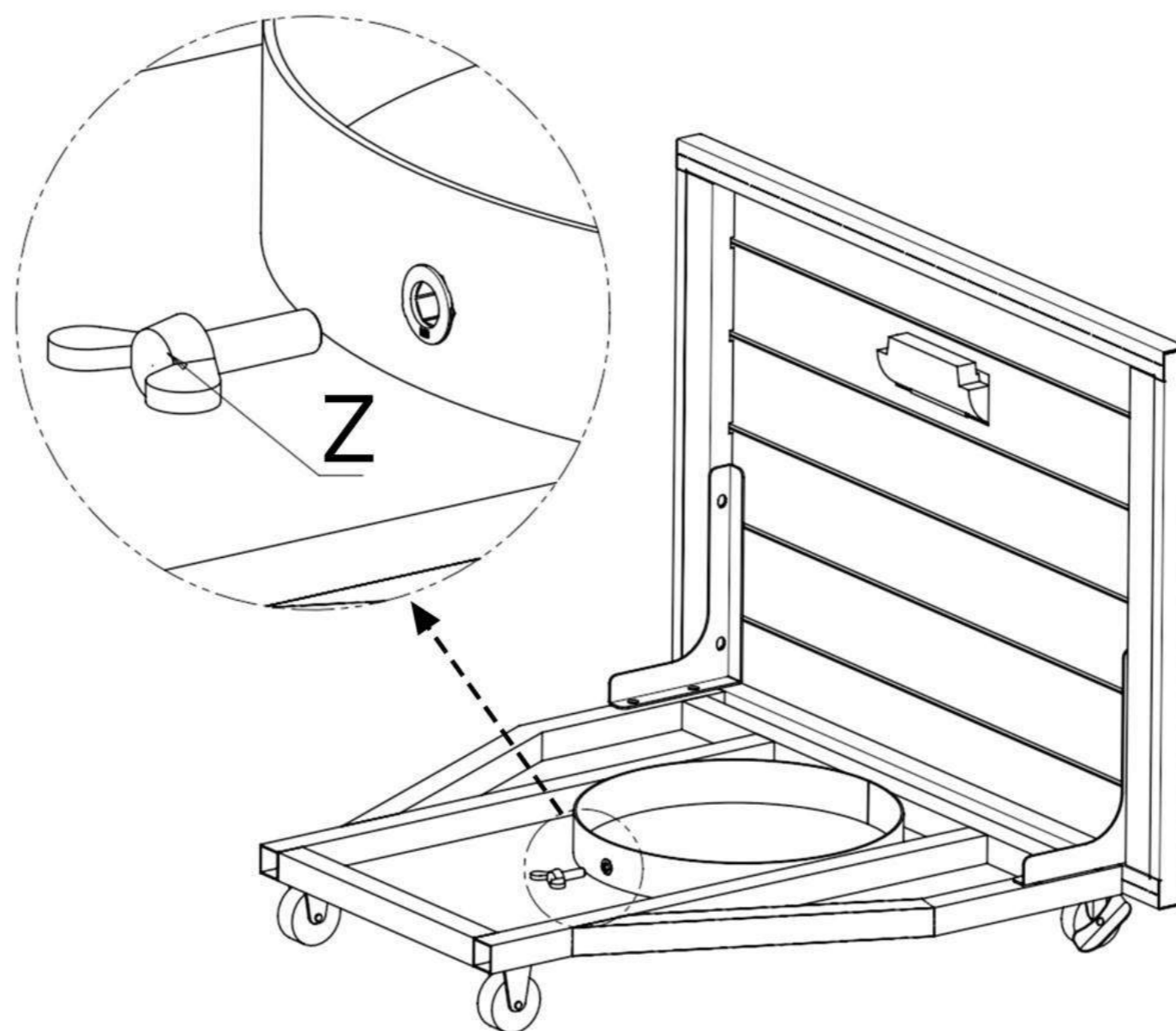
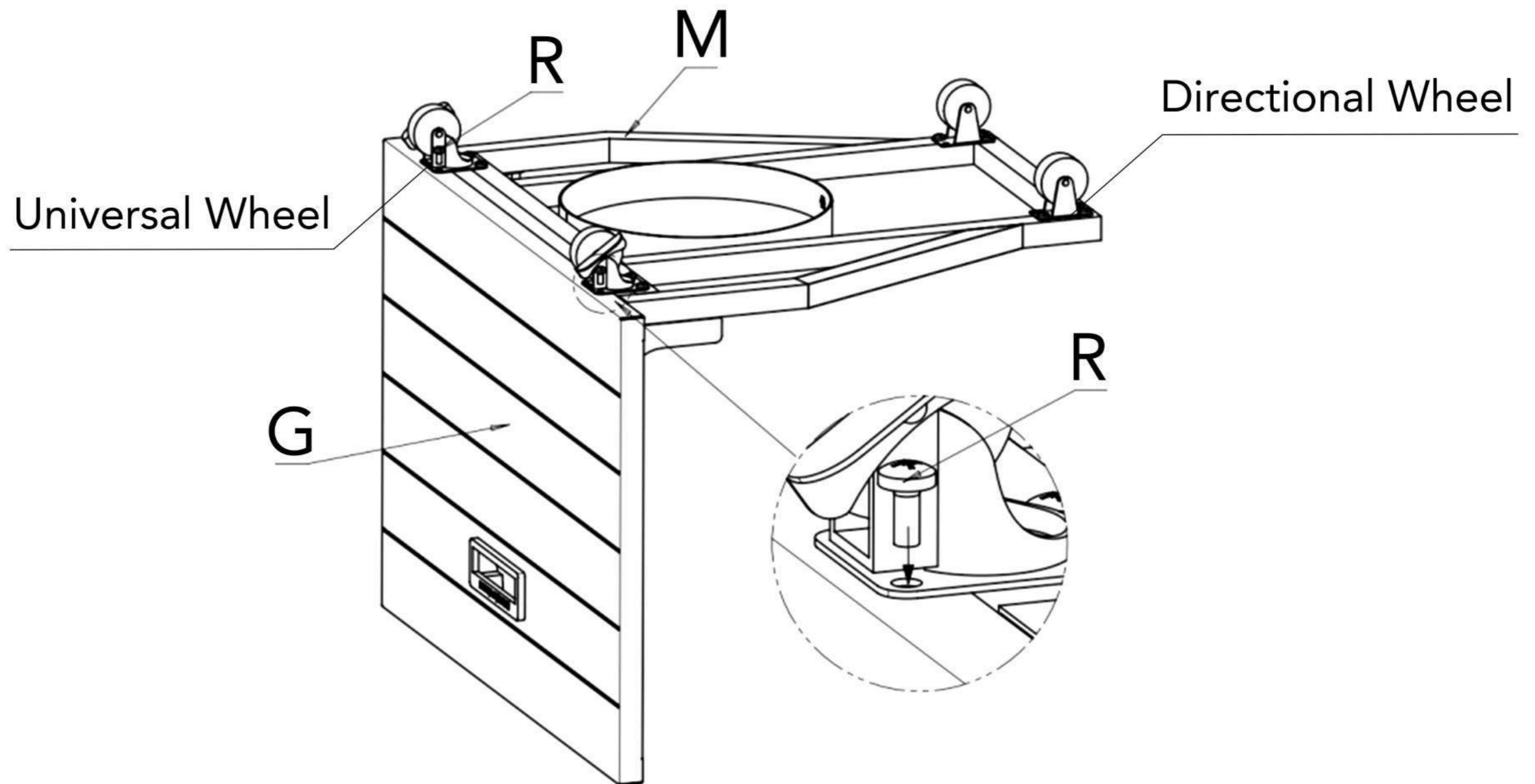
Assemble the side door panel (part G) and the cylinder base (part M) using connection parts (Part N) and M6 screws (Part O).



N x2	G x1
M x1	O x8

STEP 5

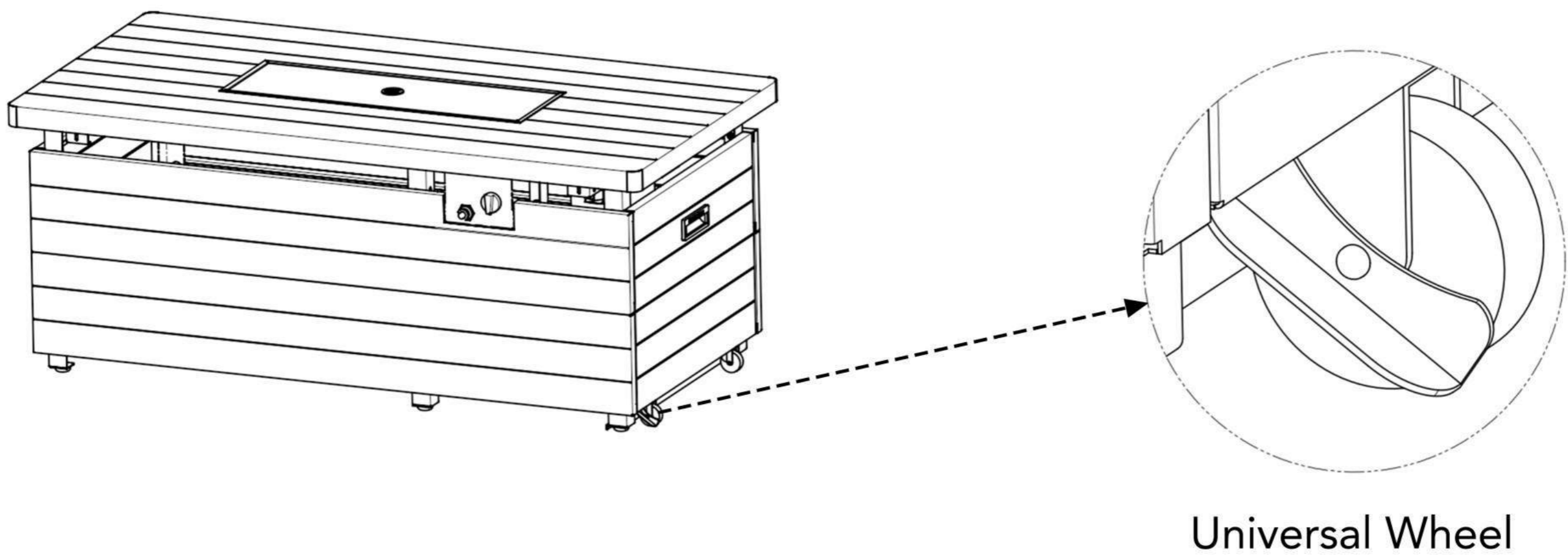
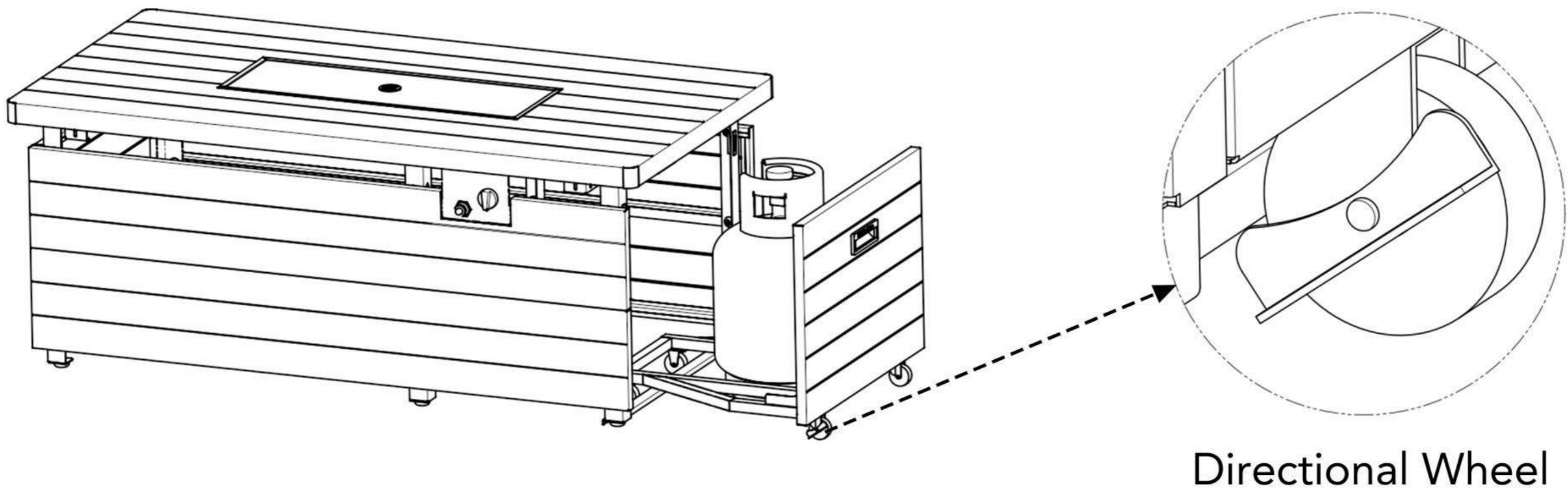
Attach 4 wheels to the cylinder base part with M5 screws.
Please note the distinction between directional and universal wheels.
Put the oxhorn screw (Part Z) into the cylinder base.



S x2	U x2
R x14	Z x1

STEP 6

Add the cylinder by sliding the side door, please observe that the universal wheels are locked or not.
Please lock the wheels when you use this fire pit table.



STEP 7

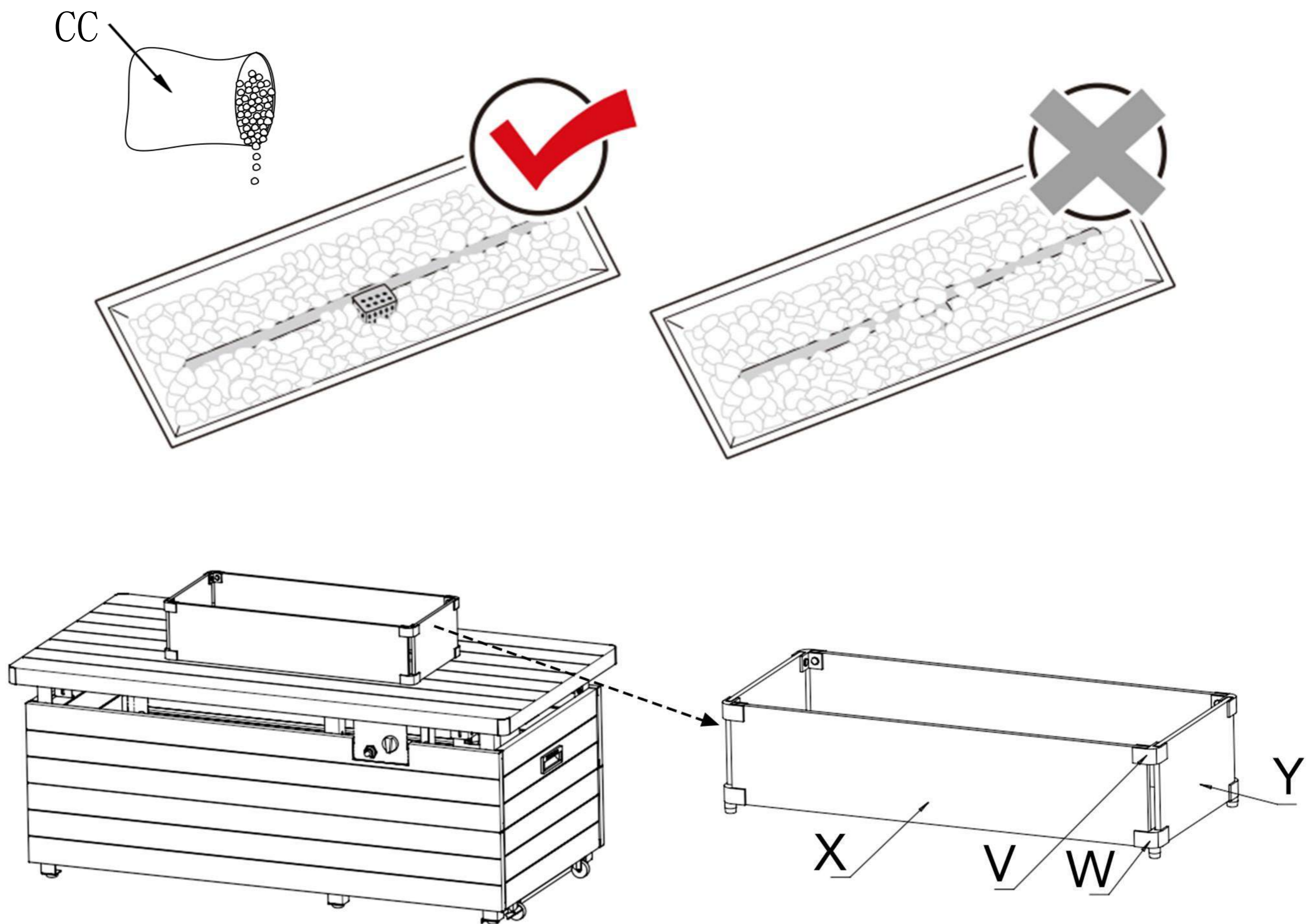
Add the glass rocks to the fire bowl.

Do not cover the burner valves with fire rocks to ensure proper flow.

Note: Keep children away during assembly to prevent accidental ingestion.

WARNING! LAVA ROCK USE

1. Do not light or use gas unit if lava rocks are wet. Ensure glass rock are completely dry before lighting as intense heat could cause the glass rock to crack.
2. glass rock could hit somebody's face or eyes during the initial start of this unit, so please keep away from the appliance for the first 20 minutes.



V x4 **W** x4

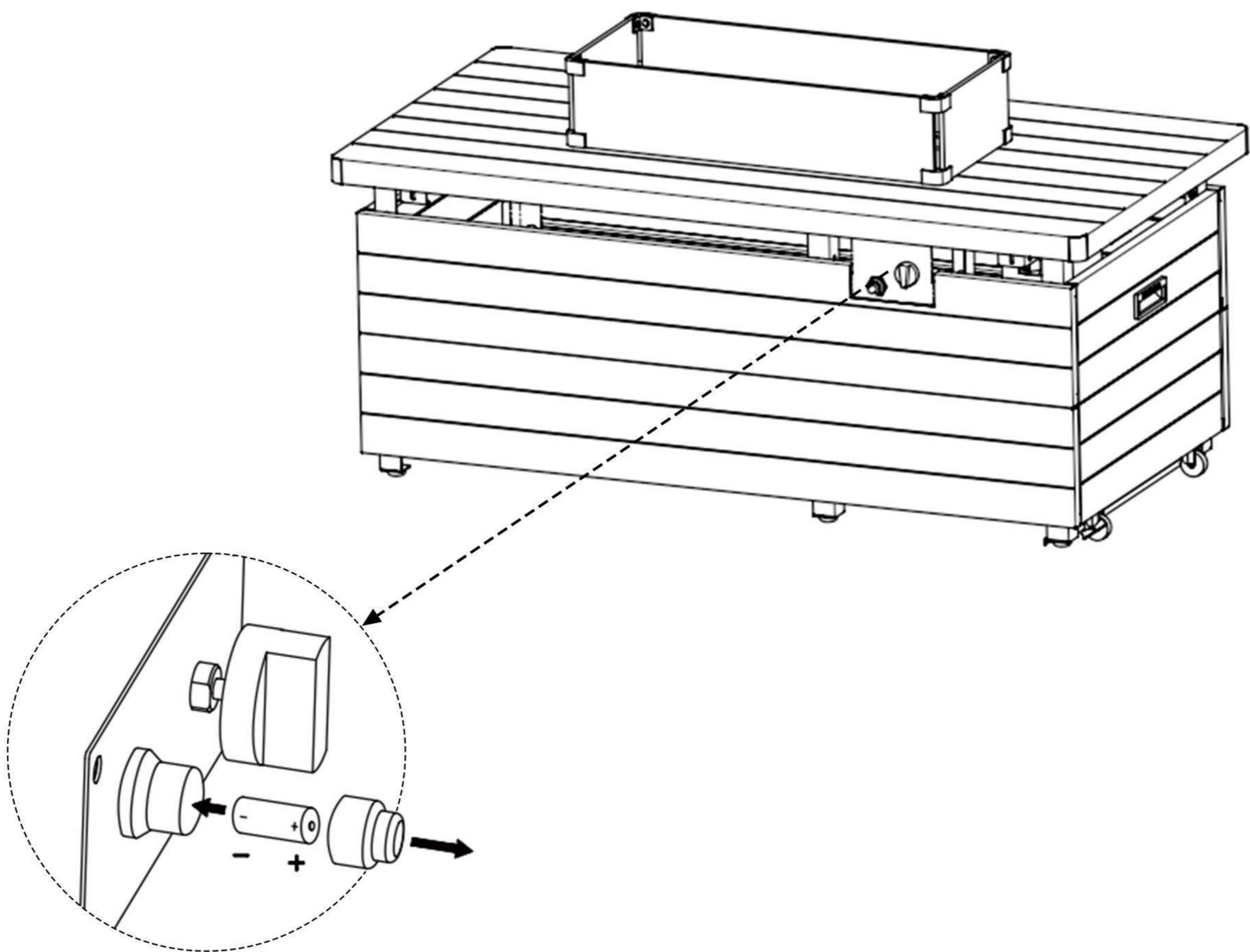
X x2 **Y** x2

STEP 8

Open the ignitor and place the AAA Battery (not included) into the ignitor. Then tighten clockwise. Wait until the unit cools before putting on the cover. Do not over tighten ignitor button.

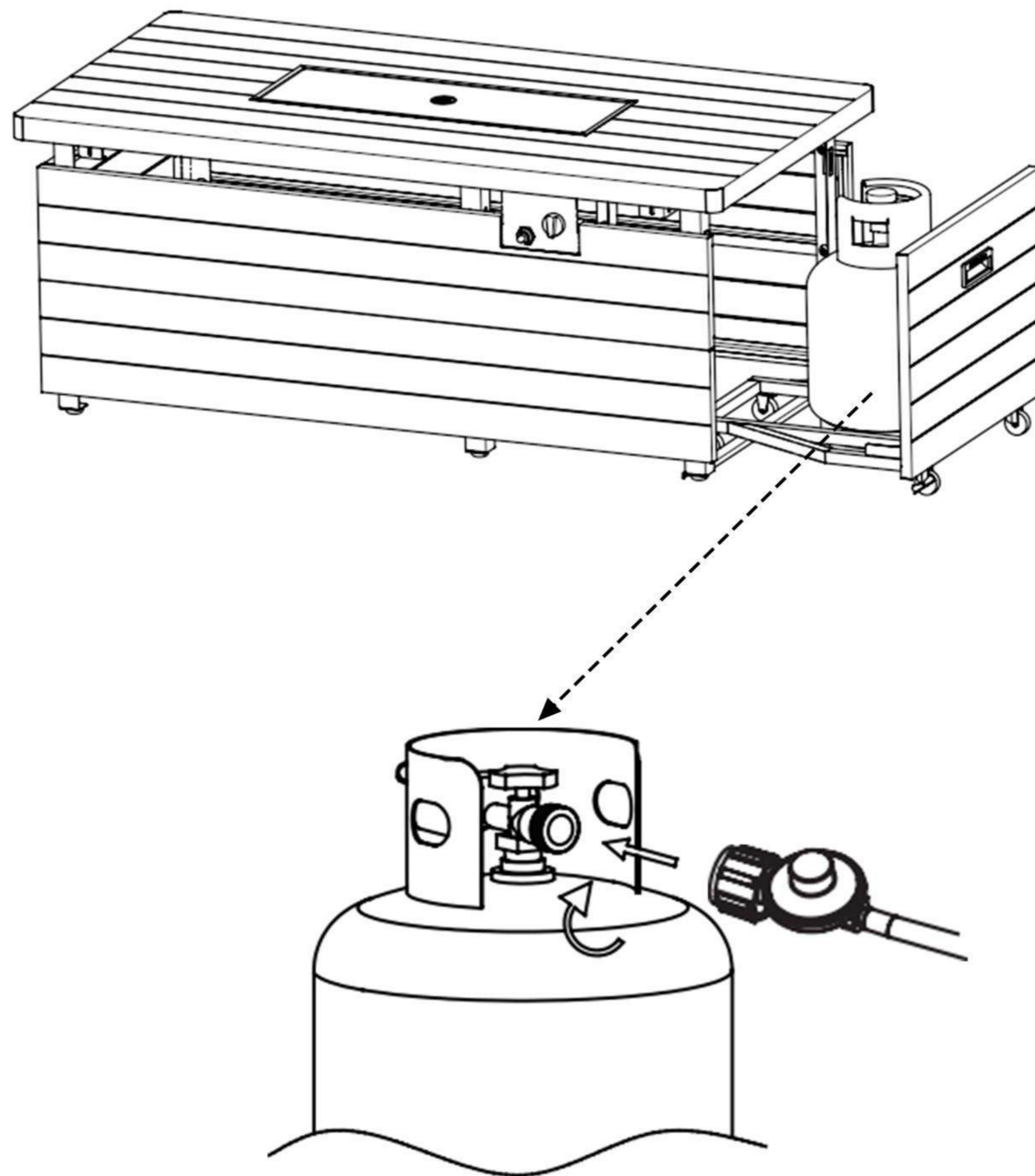
The Lid must be removed when the burner is in operation.

Note: Remove the battery when not using the appliance for an extended length of time.



INSTALLING PROPANE TANK

1. Make sure the LP cylinder is OFF by turning the hand wheel clockwise until it stops.
2. Properly secure the LP cylinder onto the cylinder hook and base.
3. Be sure all burner controls are turned to the OFF position.
4. Remove the safety cap from the cylinder valve.
5. Center the regulator nipple into the cylinder valve.
6. Turn the coupling nut clockwise until it stops. Hand tighten Only. Do not use a wrench.
7. When the fire pit is not in use, close the gas supply to ensure there are no leaks.

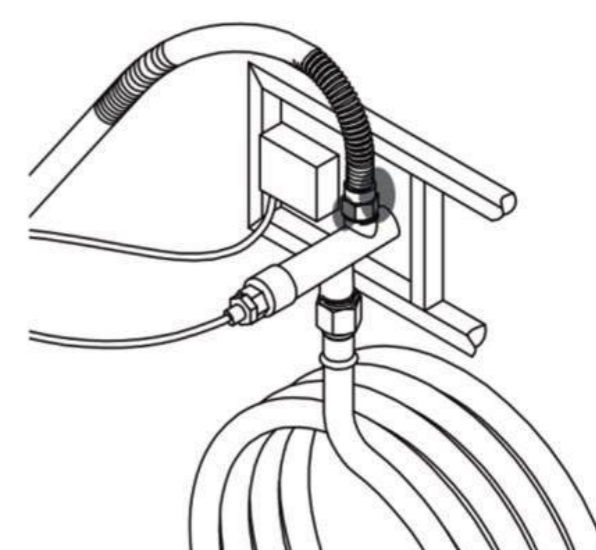
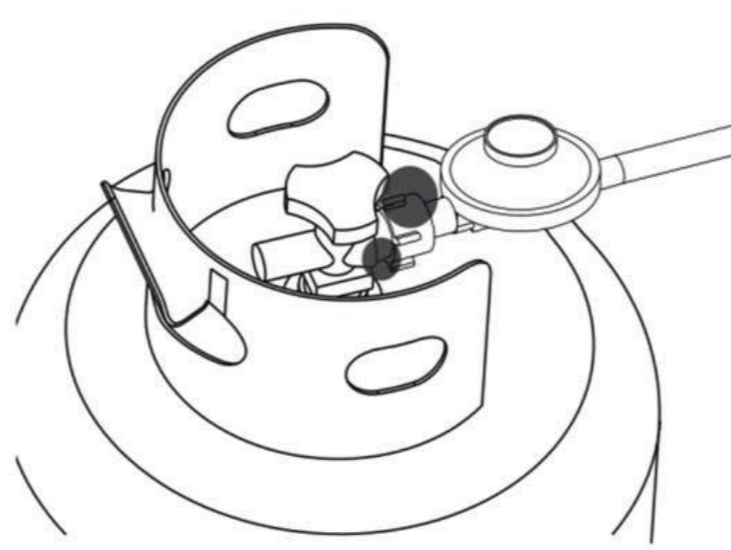
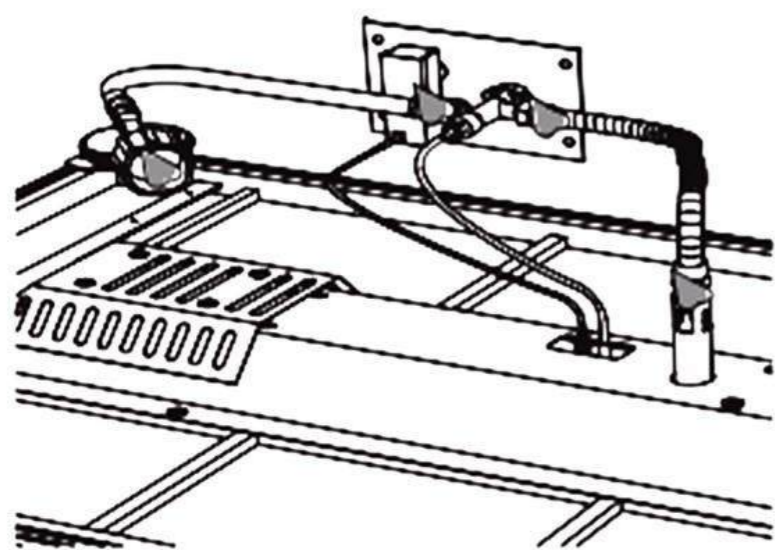
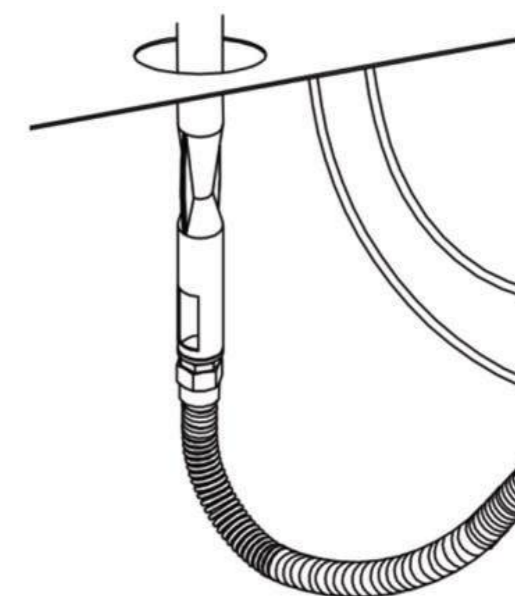
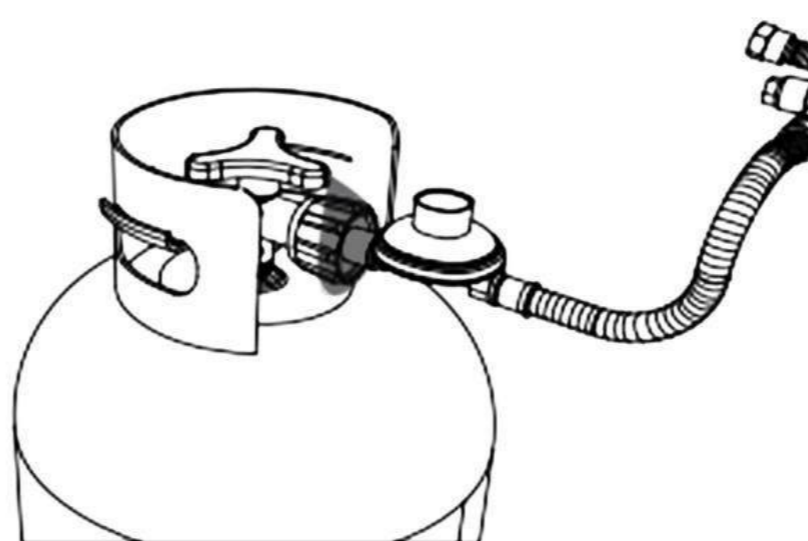
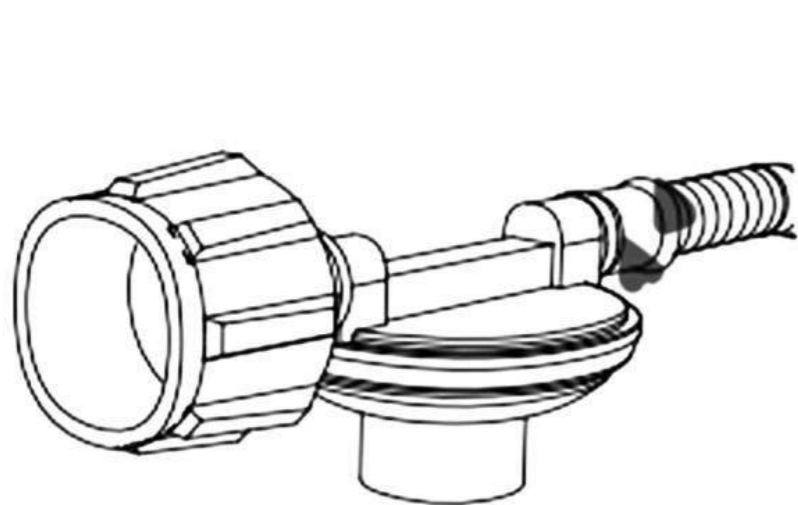


WARNING!

The regulator must enter the cylinder valve in a straight line.
Always keep the gas cylinder in the upright position at all times.

LP CYLINDER LEAK TEST

1. Leak test must be repeated each time the LP cylinder is exchanged or refilled.
2. DO NOT smoke or have anything nearby that can easily ignite, such as lighters or matches.
3. DO NOT use an open flame to check for gas leaks.
4. The appliance must be leak checked outdoors in a well-ventilated area away from open flames or sparks.
5. Make 2-3 oz. of leak detection solution by mixing one part liquid dishwashing soap with three parts water.
6. Make sure all fire pit and light valves are OFF.
7. Apply several drops of solution where hose attaches to regulator.
8. Apply several drops of solution where regulator connects to cylinder.
9. Turn cylinder valve ON.



If bubbles appear at any connection, there is a leak.

1. Turn cylinder valve OFF.
2. If leak is at hose/regulator connection: tighten connection and perform another leak test. If bubbles continue appearing. Pls contact after service for assistance.
3. If leak is at regulator/cylinder valve connection: disconnect, reconnect, and perform another leak test. If you continue to see bubbles after several attempts, cylinder valve is defective, and contact after service for assistance.

LIGHTING

1. Check that the control knob is in the "OFF" position.
2. Connect a propane cylinder and open the gas supply line.
3. Push down and hold the control knob while turning it counterclockwise to the "LOW" position (you should hear a clicking sound), this will light the burner. If this does work, repeat this process.
4. If the burner has not lit after a second attempt, shut o the gas, wait 5 minutes, and repeat step 3.
5. If the burner does not light, use a long match or long butane lighter.
6. Adjust flame to desired level with the control knob.
7. To extinguish burner depress control knob and continue to turn it clockwise to "OFF".
8. Turn cylinder valve clockwise to "OFF" and disconnect regulator when fire pit is not in use.

BURNER FLAMES

Always check the burner flame patterns after lighting. A good flame should be primarily blue with a yellow tip and have a minimal amount of flicker. Some yellow tips are OK if they are smaller than 2.5 cm (1").

New burners sometimes have oil residue, which will cause yellow flame when burning off. Variations in gas supply, altitude, weather, and other factors can all impact burner performance.



NOTE

Please wait this item to be cool before handling, cleaning, or storage.

CARE AND CLEANING

- If necessary, clean with mild detergent and a soft cloth/sponge.
- Thoroughly dry the fire pit after cleaning.
- Do not submerge control panel or burner assembly in water.
- Do not use petroleum-based or abrasive cleaners as it may damage the finish.
- Do not use rough or harsh sponges/brushes.
- Air flow must be unobstructed. Keep controls, burner, and circulating air passageways clean. Signs of possible blockage include:
Gas odor with extreme yellow tipping of flame.
Heater does NOT reach the desired temperature
Heat low is excessively uneven.
Heat makes popping noises.

STORAGE

- Disconnect propane tank when putting fire pit in storage. Do not store propane tank in the vicinity of the fire pit.
- Do not store propane tank in temperatures over 120°F.
- Protect your fire pit with the PVC cover when not in use. Cover is for UV protection and not suitable for protection from inclement weather.
- Do not store in direct sunlight.
- Do not store/use gasoline, or any other flammable vapors or liquids, in the vicinity of the fire pit.
- It is recommended that the fire pit is stored indoors during winter.
- If fire pit is stored indoors, disconnect and leave propane tank outdoors.
- For extended storage, remove the battery from the ignitor.

TROUBLE SHOOTING

PROBLEM	REASON	SOLUTION
Burner not lighting with igniter	Guard obstructed	Clear guard of obstructions
	Burner wet	Dry burner
	Igniter battery dead	Replace battery in igniter
Burner does not light	Propane tank is empty	Replace/refill tank
	Coupling nut loose	Fully tighten coupling nut
	Bent hose	Straighten hose
	Burner holes obstructed	Remove obstructions or clean holes
	Control knob off	Turn control knob on
Emits a lot of black smoke	Bent hose	Straighten hose
	Burner holes obstructed	Remove obstructions or clean holes
	Dirt or film on burner	Clean burner
Drop in gas flow, reduced flame height	Propane tank is empty	Replace/refill tank
	Temperature less than 40°F, tank less than ¼ full	
Irregular flame pattern, or does not run length of burner	Burner holes obstructed	Remove obstructions or clean holes
Flames blow out	Propane tank is empty	Replace/refill tank
	High winds	Turn control knob to high
Flames lose heat in cold weather	Ice buildup on propane tank	Replace tank

Warranty

This warranty is a limited warranty, and applies to the original purchase is required. This is a residential warranty and does not apply to commercial use. This collection carries a (1) year limited warranty and is valid from original date of purchase to the original owner (proof of purchase required).

WHAT IS COVERED

We warrant the frame to be free of Manufacturing Defects to the original purchaser for one year.

WHAT IS NOT COVERED

This warranty does not cover commercial use, hardware, acts of nature, re, freezing and abusive.

In addition, purchased parts are not covered under this warranty. We reserve the right to make substitutions with similar merchandise, if the model in question is no longer in production.

For a copy of our full limited warranty, please contact our customer service team.

QUESTION ABOUT OUR PRODUCT? WE'RE HERE TO HELP.

Contact us at: service@sundaleoutdoor.com